

1

Series

- Wood Furniture Stem
- Capacity up to 75 lbs each

www.colsoncaster.com

Standard Features

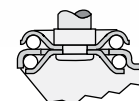
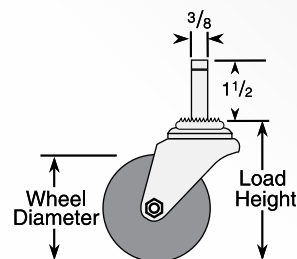
- Zinc plated finish is attractive and durable
- Full double ball hardened raceways for better performance and greater durability
- $5/16"$ shouldered axle with $1/4"$ nut
- "Colson 45" multi-temp grease lubricates in extreme hot and cold temperatures

Standard Mounting

- For use on wood furniture that can accept a $3/8"$ diameter hole approximately $1 5/8"$ deep
- Stem size: $5/16"$ diameter x $1 1/2"$ long
- Standard No.20 pressed steel adapter (Part #50011) with toothed base is supplied



Standard Dimensions



Swivel Cross Section

Fork Leg Spacing $1 5/32"$

Colson 1 Series Casters • Wood Furniture Stem • Capacity to 75 lbs

Wheel Dia.	Tread Width	Capacity Each (Pounds)	Wheel Descriptions	Wheel Bearing	Stem Caster Models	Load Height	Swivel Radius	Weight (Pounds)
$1 5/8"$	$7/8"$	60	Performa Rubber	Delrin	1.01652.441	$2 1/2"$	$1 3/4"$	$1/2"$
		75	Polyolefin	Delrin	1.01652.52	$2 1/2"$	$1 3/4"$	$1/2"$
2"	$7/8"$	75	Performa Rubber	Delrin	1.02252.441	$2 11/16"$	$1 15/16"$	$1/2"$
			Polyolefin	Delrin	1.02252.52	$2 11/16"$	$1 15/16"$	$1/2"$
			Cushion Rubber	Ball	1.02252.45	$2 11/16"$	$1 15/16"$	$1/2"$
			Hard Rubber	Ball	1.02252.55	$2 11/16"$	$1 15/16"$	$1/2"$
3"	$7/8"$	75	Performa Rubber	Delrin	1.03052.441	$3 13/16"$	$2 9/16"$	$3/4"$
			Polyurethane HI-TECH	Delrin	1.03052.91	$3 13/16"$	$2 9/16"$	$3/4"$
			Polyolefin	Delrin	1.03052.53	$3 13/16"$	$2 9/16"$	$3/4"$

Caster Brake



Side Lock
(See page 14) Available on all 3" models. Field installable (Specify **BRK3**).

Wheel Option

Thread Guards
(See page 114) Available on some models. Brake & NSF options cannot be used with thread guards (Specify **TG1** for metal or **TG2** for plastic).

Fork Option



NSF Listed
(See page 3) All models except thread guards (Specify **FS1**).

Wheel Selection



1 Series

- Expanding Stem Adapter
- Capacity up to 145 lbs each

www.colsoncaster.com

Standard Features

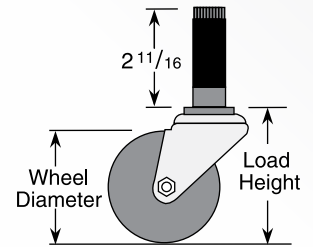
- Zinc plated finish is attractive and durable
- Full double ball hardened raceways for better performance and greater durability
- 5/16" shouldered axle with 1/4" nut
- "Colson 45" multi-temp grease lubricates in extreme hot and cold temperatures

Standard Mounting

- Turning of octagon on upper raceway expands rubber adapter inside of round or square tubing for a tight, permanent fit
- To order, select caster model number and specify stem adapter size by code number from mounting options chart at bottom right



Standard Dimensions



Swivel Cross Section
Fork Leg Spacing 1 5/32"

Colson 1 Series Casters • Expanding Stem Adapter • Capacity to 145 lbs each

Wheel Dia.	Tread Width	Capacity Each (Pounds)	Wheel Descriptions	Wheel Bearing	Stem Caster Models	Load Height	Swivel Radius	Weight (Pounds)
3"	7/8"	100	Polyurethane HI-TECH	Delrin	1.03367.91	3 7/8	2 13/16	1 1/4
		125	Performa Rubber	Delrin	1.03367.441	3 7/8	2 13/16	1 1/4
			Polyolefin	Delrin	1.03367.53	3 7/8	2 13/16	1 1/4
4"	7/8"	125	Polyurethane HI-TECH	Delrin	1.04367.91	4 7/8	3 7/16	1 1/2
		135	Performa Rubber	Delrin	1.04367.441	4 7/8	3 7/16	1 1/2
			Polyolefin	Delrin	1.04367.53	4 7/8	3 7/16	1 1/2
5"	7/8"	140	Polyurethane HI-TECH	Delrin	1.05367.91	5 7/8	4 1/16	1 3/4
		145	Performa Rubber	Delrin	1.05367.441	5 7/8	4 1/16	1 3/4
			Polyolefin	Delrin	1.05367.53	5 7/8	4 1/16	1 3/4

Note: Expanding adapter temperature rating is at 180°F.

Caster Brake



Side Lock (See page 14)
Available on all models. Field installable (Specify **BRK3**).

Fork Option

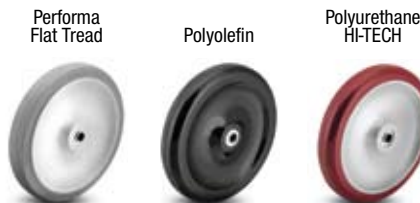


NSF Listed
(See page 3) All models except thread guards (Specify **FSI**).

Wheel Option

Thread Guards
(See page 114) Available on some models. Brake & NSF options cannot be used with thread guards (Specify **TG1** for metal or **TG2** for plastic).

Wheel Selection



Mounting Options

(See page 115)

Inside Diameter of Tube	Mounting Code Numbers	
	Round Tubing	Square Tubing
3/4" - 1 3/16"	MTG40	-
7/8" - 1 5/16"	MTG41	MTG51
1" - 1 1/16"	MTG42	MTG52
1 1/8" - 1 3/16"	MTG43	MTG53
1 1/4" - 1 5/16"	MTG44	MTG54
1 3/8" - 1 7/16"	MTG45	MTG55
1 1/2" - 1 9/16"	MTG46	-
1 5/8" - 1 11/16"	MTG47	-

Stems are 2 1/16" long. Stem size less adapter: 1/2" - 13UNC x 2 11/16"

Colson 1 Series

1

Series

- Grip Ring Stem
- Capacity up to 75 lbs each

www.colsoncaster.com

Standard Features

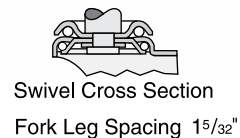
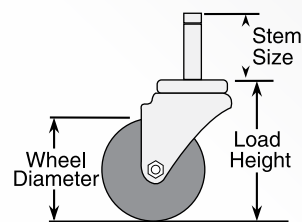
- Zinc plated finish is attractive and durable
- Full double ball hardened raceways for better performance and greater durability
- $5/16$ " shouldered axle with $1/4$ " nut
- "Colson 45" multi-temp grease lubricates in extreme hot and cold temperatures

Standard Mounting

- Spring grip on top of stem holds caster firmly in place
- **MTG52:** $7/16$ " x $1\ 29/32$ " long **with** grip ring



Standard Dimensions



Colson 1 Series Casters • Grip Ring Stem • Capacity to 75 lbs each

Wheel Dia.	Tread Width	Capacity Each (Pounds)	Wheel Descriptions	Wheel Bearing	Stem Caster Models	Load Height	Swivel Radius	Weight (Pounds)
$1\ 5/8$ "	$7/8$ "	60	Performa Rubber	Delrin	1.01651.441	$2\ 1/2$	$1\ 3/4$	$1/2$
		75	Polyolefin	Delrin	1.01651.52	$2\ 1/2$	$1\ 3/4$	$1/2$
2"	$7/8$ "	75	Performa Rubber	Delrin	1.02251.441	$2\ 11/16$	$1\ 15/16$	$1/2$
			Polyolefin	Delrin	1.02251.52	$2\ 11/16$	$1\ 15/16$	$1/2$
			Cushion Rubber	Ball	1.02251.45	$2\ 11/16$	$1\ 15/16$	$5/8$
			Hard Rubber	Ball	1.02251.55	$2\ 11/16$	$1\ 15/16$	$5/8$
3"	$7/8$ "	75	Performa Rubber	Delrin	1.03051.441	$3\ 13/16$	$2\ 9/16$	$3/4$
			Polyurethane HI-TECH	Delrin	1.03051.91	$3\ 13/16$	$2\ 9/16$	$3/4$
			Polyolefin	Delrin	1.03051.53	$3\ 13/16$	$2\ 9/16$	$3/4$

Caster Brake



Side Lock
(See page 14) Available on all 3" models. Field installable (Specify **BRK3**).

Wheel Option

Thread Guards
(See page 114) Available on some models. Brake & NSF options cannot be used with thread guards (Specify **TG1** for metal or **TG2** for plastic).

Mounting Options

- MTG1:** $3/8$ " x $1\ 9/16$ " long
- MTG2:** $7/16$ " x $1\ 9/16$ " long
- MTG50:** $7/16$ " x 1" long
- MTG51:** $7/16$ " x $1\ 29/32$ " long **less** grip ring

Fork Option



NSF Listed
(See page 3) All models except thread guards (Specify **FS1**).

Wheel Selection



1 Series

- Grip Ring Stem
- Capacity up to 145 lbs each

www.colsoncaster.com

Standard Features

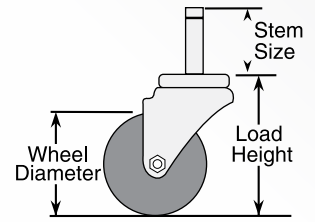
- Zinc plated finish is attractive and durable
- Full double ball hardened raceways for better performance and greater durability
- $5/16$ " shouldered axle with $1/4$ " nut
- "Colson 45" multi-temp grease lubricates in extreme hot and cold temperatures

Standard Mounting

- Spring grip on top of stem holds caster firmly in place
- **MTG52:** $7/16$ " x $1\ 29/32$ " long with grip ring



Standard Dimensions



Swivel Cross Section
Fork Leg Spacing $1\ 5/32$ "

Colson 1 Series Casters • Grip Ring Stem • Capacity to 145 lbs each

Wheel Dia.	Tread Width	Capacity Each (Pounds)	Wheel Descriptions	Wheel Bearing	Stem Caster Models	Load Height	Swivel Radius	Weight (Pounds)
3"	$7/8$ "	100	Polyurethane HI-TECH	Delrin	1.03351.91	$3\ 3/4$	$2\ 13/16$	1
		125	Performa Rubber	Delrin	1.03351.441	$3\ 3/4$	$2\ 13/16$	$1\ 1/8$
			Polyolefin	Delrin	1.03351.53	$3\ 3/4$	$2\ 13/16$	$1\ 1/8$
4"	$7/8$ "	125	Polyurethane HI-TECH	Delrin	1.04351.91	$4\ 3/4$	$3\ 7/16$	$1\ 1/8$
		135	Performa Rubber	Delrin	1.04351.441	$4\ 3/4$	$3\ 7/16$	$1\ 3/8$
			Polyolefin	Delrin	1.04351.53	$4\ 3/4$	$3\ 7/16$	$1\ 3/8$
5"	$7/8$ "	140	Polyurethane HI-TECH	Delrin	1.05351.91	$5\ 3/4$	$4\ 1/16$	$1\ 1/4$
		145	Performa Rubber	Delrin	1.05351.441	$5\ 3/4$	$4\ 1/16$	$1\ 5/8$
			Polyolefin	Delrin	1.05351.53	$5\ 3/4$	$4\ 1/16$	$1\ 1/8$

Caster Brake



Side Lock (See page 14)
Available on all models. Field installable (Specify **BRK3**).

Fork Option



NSF Listed
(See page 3) All models except thread guards (Specify **FS1**).

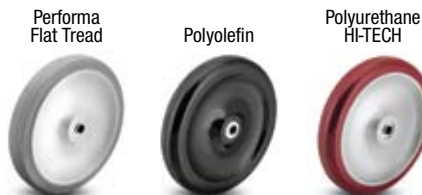
Wheel Option

Thread Guards
(See page 114) Available on some models. Brake & NSF options cannot be used with thread guards (Specify **TG1** for metal or **TG2** for plastic).

Mounting Options

MTG2: $7/16$ " x $1\ 1/2$ " long
MTG51: $7/16$ " x $1\ 29/32$ " long less grip ring

Wheel Selection



Plastic Adapters

Snap easily in place to reduce distortion and damage to furniture and equipment tubing.

Plastic adapters are non-conductive. First specify **MTG51**: ($7/16$ " x $1\ 29/32$ " less grip ring, then specify plastic adapter code from below.

MTG53: (No. 50810): Fits $7/8$ " x 18 ga. wall round tubing or any I.D. from $3/4$ " to $51/64$ ".

MTG55: (No. 50865): Fits 1" x 14 ga. wall round tubing or any I.D. from $53/64$ " to $55/64$ ".

MTG56: (No. 50916): Fits 1" x 16 ga. wall round tubing or any I.D. from $57/64$ " to $29/32$ ".



1 Series

1

Series

- Straight Thread Stem
- Capacity up to 75 lbs each

www.colsoncaster.com

Standard Features

- Zinc plated finish is attractive and durable
- Full double ball hardened raceways for better performance and greater durability
- 5/16" shouldered axle with 1/4" nut
- "Colson 45" multi-temp grease lubricates in extreme hot and cold temperatures

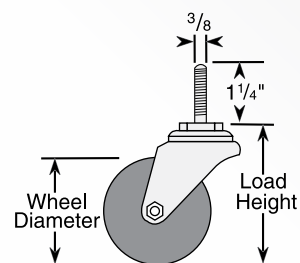
Standard Mounting

- MTG55: 3/8" diameter- 16UNC x 1 1/4" long threaded 1 1/8"

IMPORTANT: If caster stem is to be screwed into customer equipment, the customer must add a washer to the stem that will cover the incomplete threads and support the upper race. The stem shoulder must fit tightly against the customer equipment.



Standard Dimensions



Colson 1 Series Casters • Straight Thread Stem • Capacity to 75 lbs each

Wheel Dia.	Tread Width	Capacity Each (Pounds)	Wheel Descriptions	Wheel Bearing	Stem Caster Models	Load Height	Swivel Radius	Weight (Pounds)
1 5/8"	7/8"	60	Perfoma Rubber	Delrin	1.01654.441	2 1/2	1 3/4	3/8
		75	Polyolefin	Delrin	1.01654.52	2 1/2	1 3/4	3/8
2"	7/8"	75	Perfoma Rubber	Delrin	1.02254.441	2 11/16	1 15/16	3/8
			Polyolefin	Delrin	1.02254.52	2 11/16	1 15/16	3/8
			Cushion Rubber	Ball	1.02254.45	2 11/16	1 15/16	1/2
			Hard Rubber	Ball	1.02254.55	2 11/16	1 15/16	1/2
3"	7/8"	75	Perfoma Rubber	Delrin	1.03054.441	3 13/16	2 9/16	5/8
			Polyurethane HI-TECH	Delrin	1.03054.91	3 13/16	2 9/16	5/8
			Polyolefin	Delrin	1.03054.53	3 13/16	2 9/16	5/8

Caster Brake



Side Lock
(See page 14) Available on all 3" models. Field installable (Specify **BRK3**).

Fork Option



NSF Listed
(See page 3) All models except thread guards (Specify **FSI**).

Wheel Option

Thread Guards
(See page 114) Available on some models. Brake & NSF options cannot be used with thread guards (Specify **TG1** for metal or **TG2** for plastic).

Mounting Options

MTG51: 3/8" diameter - 24NF x 1 1/16" long

Wheel Selection



1 Series

- Straight Thread Stem
- Capacity up to 145 lbs each

www.colsoncaster.com

Standard Features

- Zinc plated finish is attractive and durable
- Full double ball hardened raceways for better performance and greater durability
- 5/16" shouldered axle with 1/4" nut
- "Colson 45" multi-temp grease lubricates in extreme hot and cold temperatures

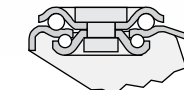
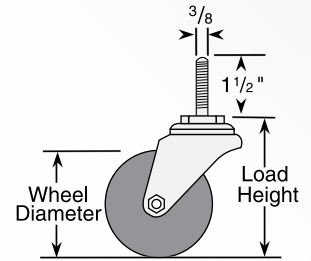
Standard Mounting

- 3/8" diameter - 16UNC x 1 1/2" long threaded 1 3/8"

IMPORTANT: If caster stem is to be screwed into customer equipment, the customer must add a washer to the stem that will cover the incomplete threads and support the upper race. The stem shoulder must fit tightly against the customer equipment.



Standard Dimensions



Swivel Cross Section
Fork Leg Spacing 1 5/32"

Colson 1 Series Casters • Straight Thread Stem • Capacity to 145 lbs each

Wheel Dia.	Tread Width	Capacity Each (Pounds)	Wheel Descriptions	Wheel Bearing	Stem Caster Models	Load Height	Swivel Radius	Weight (Pounds)
3"	7/8"	100	Polyurethane HI-TECH	Delrin	1.03354.91	3 ³ / ₄	2 ¹³ / ₁₆	1 ¹ / ₈
		125	Performa Rubber	Delrin	1.03354.441	3 ³ / ₄	2 ¹³ / ₁₆	1 ¹ / ₈
			Polyolefin	Delrin	1.03354.53	3 ³ / ₄	2 ¹³ / ₁₆	1 ¹ / ₈
4"	7/8"	125	Polyurethane HI-TECH	Delrin	1.04354.91	4 ³ / ₄	3 ⁷ / ₁₆	1 ³ / ₈
		135	Performa Rubber	Delrin	1.04354.441	4 ³ / ₄	3 ⁷ / ₁₆	1 ³ / ₈
			Polyolefin	Delrin	1.04354.53	4 ³ / ₄	3 ⁷ / ₁₆	1 ³ / ₈
5"	7/8"	140	Polyurethane HI-TECH	Delrin	1.05354.91	5 ³ / ₄	4 ¹ / ₁₆	1 ⁵ / ₈
		145	Performa Rubber	Delrin	1.05354.441	5 ³ / ₄	4 ¹ / ₁₆	1 ⁵ / ₈
			Polyolefin	Delrin	1.05354.53	5 ³ / ₄	4 ¹ / ₁₆	1 ⁵ / ₈

Caster Brake



Side Lock (See page 14)
Available on all models. Field installable (Specify **BRK3**).

Fork Option

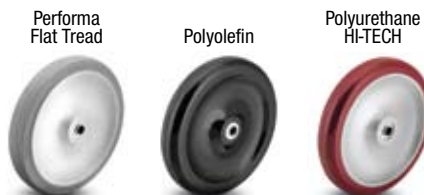


NSF Listed
(See page 3) All models except thread guards (Specify **FS1**).

Wheel Option

Thread Guards
(See page 114) Available on some models. Brake & NSF options cannot be used with thread guards (Specify **TG1** for metal or **TG2** for plastic).

Wheel Selection



Colson 1 Series

1

Series

- Square Stem
- Capacity up to 145 lbs each

Standard Features

- Zinc plated finish is attractive and durable
- Full double ball hardened raceways for better performance and greater durability
- 5/16" shouldered axle with 1/4" nut
- "Colson 45" multi-temp grease lubricates in extreme hot and cold temperatures

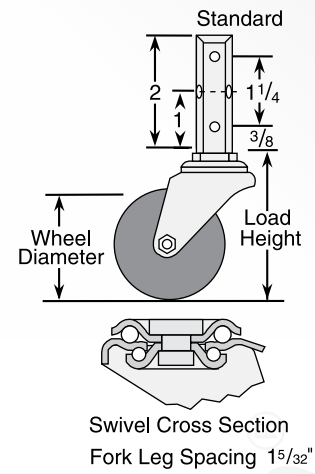
Standard Mounting

- Designed for easy installation on the inside of angle iron legs or against flat surfaces
- Stems may be bolted or riveted against any flat vertical surface
- Standard Stem 2" long by 3/4" square with 3 mounting holes 17/64" diameter



www.colsoncaster.com

Standard Dimensions



Colson 1 Series Casters • Square Stem • Capacity to 145 lbs each

Wheel Dia.	Tread Width	Capacity Each (Pounds)	Wheel Descriptions	Wheel Bearing	Stem Caster Models	Load Height	Swivel Radius	Weight (Pounds)
3"	7/8"	100	Polyurethane HI-TECH	Delrin	1.03370.91	3 ³ / ₄	2 ¹³ / ₁₆	11/4
		125	Performa Rubber	Delrin	1.03370.441	3 ³ / ₄	2 ¹³ / ₁₆	11/4
			Polyolefin	Delrin	1.03370.53	3 ³ / ₄	2 ¹³ / ₁₆	11/4
4"	7/8"	125	Polyurethane HI-TECH	Delrin	1.04370.91	4 ³ / ₄	3 ⁷ / ₁₆	11/2
		135	Performa Rubber	Delrin	1.04370.441	4 ³ / ₄	3 ⁷ / ₁₆	11/2
			Polyolefin	Delrin	1.04370.53	4 ³ / ₄	3 ⁷ / ₁₆	11/2
5"	7/8"	140	Polyurethane HI-TECH	Delrin	1.05370.91	5 ³ / ₄	4 ¹ / ₁₆	13/4
		145	Performa Rubber	Delrin	1.05370.441	5 ³ / ₄	4 ¹ / ₁₆	13/4
			Polyolefin	Delrin	1.05370.53	5 ³ / ₄	4 ¹ / ₁₆	13/4

Caster Brake



Side Lock
(See page 14) Available on all models. Field installable (Specify **BRK3**).

Fork Option

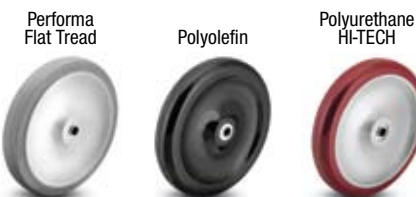


NSF Listed
(See page 3) All models except thread guards (Specify **FS1**).

Wheel Option

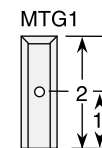
Thread Guards
(See page 114) Available on some models. Brake & NSF options cannot be used with thread guards (Specify **TG1** for metal or **TG2** for plastic).

Wheel Selection



Mounting Options

MTG1: Optional Square Stem: 2" long x 7/8" square with 1 mounting hole 17/64" diameter.



1 Series

Series

- Small Top Plate Swivel and Rigid
- Capacity up to 75 lbs each

www.colsoncaster.com

Standard Features

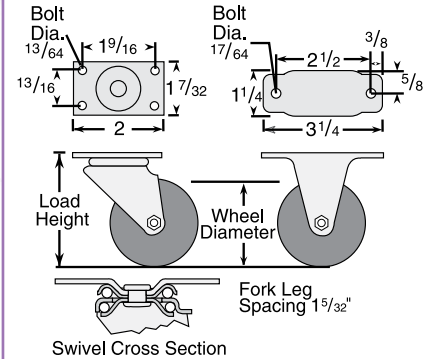
- Zinc plated finish is attractive and durable
- Full double ball hardened raceways for better performance and greater durability
- 5/16" shouldered axle with 1/4" nut
- "Colson 45" multi-temp grease lubricates in extreme hot and cold temperatures

Standard Mounting

- Rigid caster mounting holes do not match swivel



Standard Dimensions



Colson 1 Series Casters • Small Top Plate Swivel and Rigid • Capacity to 75 lbs each

Wheel Dia.	Tread Width	Capacity Each (Pounds)	Wheel Descriptions	Wheel Bearing	Swivel Top Plate Caster Models	Rigid Top Plate Caster Models	Load Height	Swivel Radius	Weight (Pounds)
1 5/8"	7/8"	60	Perfoma Rubber	Delrin	1.01666.441	1.01610.441	2 9/16	1 3/4	3/8
		75	Polyolefin	Delrin	1.01666.52	1.01610.52	2 9/16	1 3/4	3/8
2"	7/8"	75	Perfoma Rubber	Delrin	1.02266.441	1.02210.441	2 3/4	1 15/16	1/2
			Polyolefin	Delrin	1.02266.52	1.02210.52	2 3/4	1 15/16	1/2
			Cushion Rubber	Ball	1.02266.45	1.02210.45	2 3/4	1 15/16	1/2
			Hard Rubber	Ball	1.02266.55	1.02210.55	2 3/4	1 15/16	1/2
3"	7/8"	75	Perfoma Rubber	Delrin	1.03066.441	—	3 7/8	2 9/16	3/4
			Polyurethane HI-TECH	Delrin	1.03066.91	—	3 7/8	2 9/16	3/4
			Polyolefin	Delrin	1.03066.53	—	3 7/8	2 9/16	3/4

Caster Brake



Side Lock (See page 14)
Available on all 3" swivel models. Field installable (Specify **BRK3**).

Fork Option



NSF Listed
(See page 3) All models except thread guards (Specify **FSI**).

Wheel Option

Thread Guards

(See page 114) Available on some models. Brake & NSF options cannot be used with thread guards (Specify **TG1** for metal or **TG2** for plastic).

Wheel Selection



Colson 1 Series

1

Series

- Top Plate Swivel and Rigid
- Capacity up to 75 lbs each

www.colsoncaster.com

Standard Features

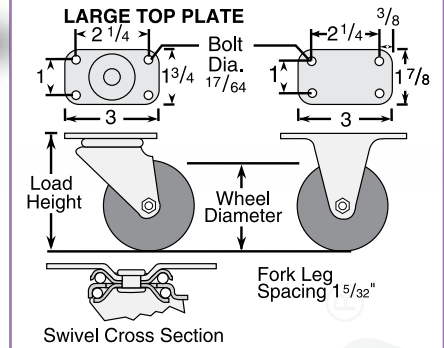
- Zinc plated finish is attractive and durable
- Full double ball hardened raceways for better performance and greater durability
- 5/16" shouldered axle with 1/4" nut
- "Colson 45" multi-temp grease lubricates in extreme hot and cold temperatures

Standard Mounting

- Rigid caster available with 3" diameter wheel only



Standard Dimensions



Colson 1 Series Casters • Top Plate Swivel and Rigid • Capacity to 75 lbs each

Wheel Dia.	Tread Width	Capacity Each (Pounds)	Wheel Descriptions	Wheel Bearing	Swivel Top Plate Caster Models	Rigid Top Plate Caster Models	Load Height	Swivel Radius	Weight (Pounds)
1 5/8"	7/8"	60	Performa Rubber	Delrin	1.01656.441	—	2 9/16	1 3/4	1/2
		75	Polyolefin	Delrin	1.01656.52	—	2 9/16	1 3/4	1/2
2"	7/8"	75	Performa Rubber	Delrin	1.02256.441	—	2 3/4	1 15/16	1/2
			Polyolefin	Delrin	1.02256.52	—	2 3/4	1 15/16	1/2
			Cushion Rubber	Ball	1.02256.45	—	2 3/4	1 15/16	5/8
			Hard Rubber	Ball	1.02256.55	—	2 3/4	1 15/16	5/8
3"	7/8"	75	Performa Rubber	Delrin	1.03056.441	1.03010.441	3 7/8	2 9/16	3/4
			Polyurethane HI-TECH	Delrin	1.03056.91	1.03010.91	3 7/8	2 9/16	3/4
			Polyolefin	Delrin	1.03056.53	1.03010.53	3 7/8	2 9/16	3/4

Caster Brake



Side Lock
(See page 14) Available on all 3" swivel models. Field installable (Specify **BRK3**).

Fork Option



NSF Listed
(See page 3) All models except thread guards (Specify **FSI**).

Wheel Option

Thread Guards
(See page 114) Available on some models. Brake & NSF options cannot be used with thread guards (Specify **TG1** for metal or **TG2** for plastic).

Wheel Selection



1 Series

Series

- Large Top Plate Swivel and Rigid
- Capacity up to 145 lbs each

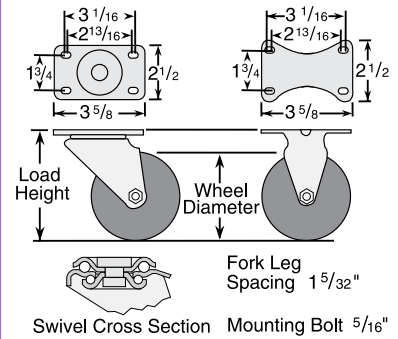
www.colsoncaster.com

Standard Features

- Zinc plated finish is attractive and durable
- Full double ball hardened raceways for better performance and greater durability
- $\frac{5}{16}$ " shouldered axle with $\frac{1}{4}$ " nut
- .090" steel top plate
- "Colson 45" multi-temp grease lubricates in extreme hot and cold temperatures



Standard Dimensions



Colson 1 Series Casters • Large Top Plate Swivel and Rigid • Capacity to 145 lbs each

Wheel Dia.	Tread Width	Capacity Each (Pounds)	Wheel Descriptions	Wheel Bearing	Swivel Top Plate Caster Models	Rigid Top Plate Caster Models	Load Height	Swivel Radius	Weight (Pounds)
3"	$\frac{7}{8}$ "	100	Polyurethane HI-TECH	Delrin	1.03356.91	1.03008.91	$3\frac{3}{4}$	$2\frac{13}{16}$	$1\frac{1}{4}$
		125	Performa Rubber	Delrin	1.03356.441	1.03008.441	$3\frac{3}{4}$	$2\frac{13}{16}$	$1\frac{1}{4}$
			Polyolefin	Delrin	1.03356.53	1.03008.53	$3\frac{3}{4}$	$2\frac{13}{16}$	$1\frac{1}{4}$
4"	$\frac{7}{8}$ "	125	Polyurethane HI-TECH	Delrin	1.04356.91	1.04008.91	$4\frac{3}{4}$	$3\frac{7}{16}$	$1\frac{1}{2}$
		135	Performa Rubber	Delrin	1.04356.441	1.04008.441	$4\frac{3}{4}$	$3\frac{7}{16}$	$1\frac{1}{2}$
			Polyolefin	Delrin	1.04356.53	1.04008.53	$4\frac{3}{4}$	$3\frac{7}{16}$	$1\frac{1}{2}$
5"	$\frac{7}{8}$ "	140	Polyurethane HI-TECH	Delrin	1.05356.91	1.05008.91	$5\frac{3}{4}$	$4\frac{1}{16}$	$1\frac{3}{4}$
		145	Performa Rubber	Delrin	1.05356.441	1.05008.441	$5\frac{3}{4}$	$4\frac{1}{16}$	$1\frac{3}{4}$
			Polyolefin	Delrin	1.05356.53	1.05008.53	$5\frac{3}{4}$	$4\frac{1}{16}$	$1\frac{3}{4}$

Caster Brake



Side Lock
(See page 14) Available on all swivel models. Field installable (Specify **BRK3**).

Fork Option



NSF Listed
(See page 3) All models except thread guards (Specify **FSI**).

Wheel Option

Thread Guards
(See page 114) Available on some models. Brake & NSF options cannot be used with thread guards (Specify **TG1** for metal or **TG2** for plastic).

Wheel Selection

