

# 6

# Series

www.colsoncaster.com

- Top Plate Swivel & Rigid
- Capacity up to 1500 lbs each

### Standard Features

- Attractive zinc plated finish
- Full double ball hardened raceways
- 1/2" hollow axle with grease zerk and lock nut
- Plastic seal/retainer washer (roller bearing models)
- 5/16" steel top plate for durability (1/4" rigid top plate)
- Heat treated bolt and nut king pin with 3/4" diameter bolt
- Grease fittings: wheel bearing and swivel raceway
- "Colson 45" multi-temp grease lubricates in extreme hot and cold temperatures



### Fork / Wheel Options



**NSF Listed**  
(See page 3) All models except swivel lock, thread guards, forged steel and cast iron core wheels (Specify **FSI**).



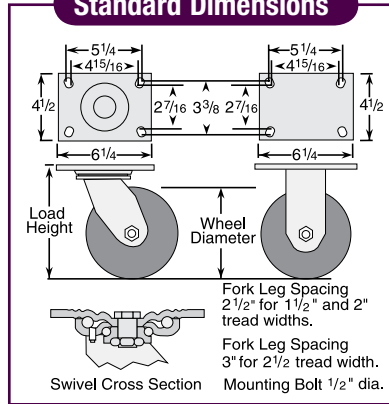
**Hand Activated Swivel Lock**  
(See page 19) Available on all swivel casters in Bolt-On or Welded design.

**Thread Guards**  
(See page 114) Available on many models (Specify **TG1** for metal or **TG2** for plastic).

**Axle/Nut Options**  
**AX2** Solid Axle (2" tread width)  
**NT1** Thick lock nut  
**NT2** Thin lock nut

Lube Options	Fork	Wheel
No Grease	<b>GRF1</b>	<b>GRW1</b>
Double Grease	<b>GRF2</b>	<b>GRW2</b>
300° Continuous	<b>GRF3</b>	<b>GRW3</b>
500° Continuous	<b>Consult Factory</b>	

### Standard Dimensions



### Caster Brake



**Tread Lock**  
(See page 18) Available on all swivel casters with 2" tread widths except V-Groove models (Specify **BRK1**).

### Wheel Selection





# 6

# Series ENFORCER®

www.colsoncaster.com

- Kingpinless Top Plate Swivel & Rigid
- Capacity up to 1500 lbs each



### Standard Features

- Attractive zinc plated finish
- 1/4" fork leg thickness
- Single ball hardened swivel raceway
- 1/2" hollow axle with grease zerks and lock nut
- Plastic seal/retainer washer (roller bearing models)
- 5/16" steel top plate for durability (1/4" rigid top plate)
- Grease fittings: wheel bearing and swivel raceway
- Multi-temp grease lubricates in extreme hot and cold temperatures

### Fork / Wheel Options



#### NSF Listed

(See page 3) All models except swivel lock, thread guards, forged steel and cast iron core wheels (Specify FSI).



#### Hand Activated Swivel Lock

(See page 19) Available on all swivel casters. Specify **MTG61** with standard top plate, **MTG62** with #2 top plate and **MTG64** with #4 top plate.

#### Thread Guards

(See page 114) Available on many models (Specify **TG1** for metal or **TG2** for plastic).

#### Load Height Option

Optional 9 1/2" load height (6 1/4" swivel radius) available for 8" swivel & rigid casters (Specify **LH9.5**).

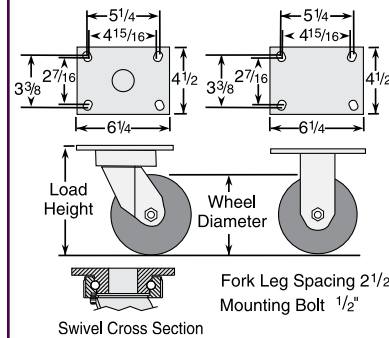
#### Axle/Nut Options

- AX2** Solid Axle
- NT1** Thick lock nut
- NT2** Thin lock nut

#### Lube Options

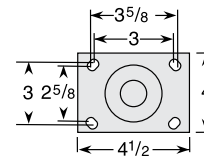
Lube Options	Fork	Wheel
No Grease	<b>GRF1</b>	<b>GRW1</b>
Double Grease	<b>GRF2</b>	<b>GRW2</b>
300° Continuous	<b>GRF3</b>	<b>GRW3</b>
500° Continuous	<b>Consult Factory</b>	

### Standard Dimensions

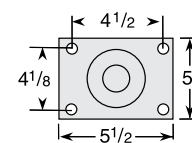


### Optional Top Plates

#### # 1 Top Plate (Specify MTG1).



#### # 4 Top Plate (Specify MTG4).



### Caster Brake



#### Tread Lock

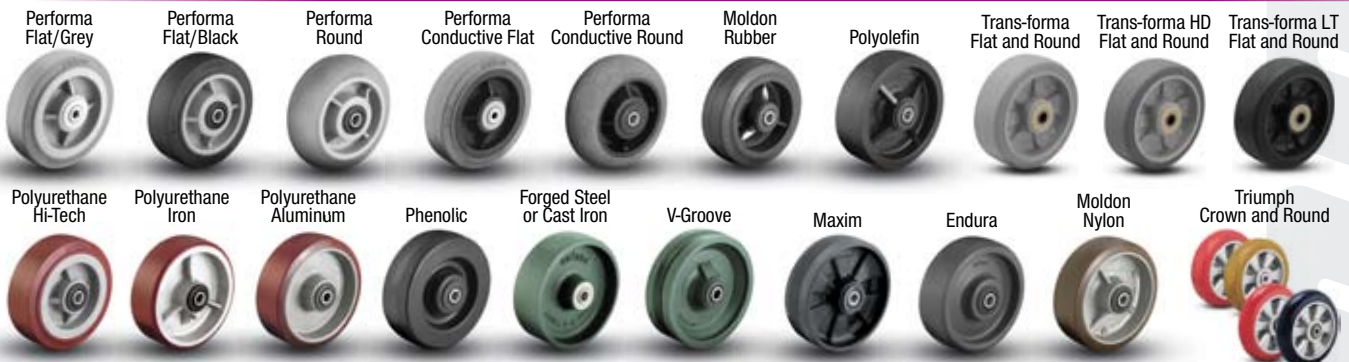
(See page 18) Available on all swivel casters except V-Groove models (Specify **BRK1**).



#### Side Lock

(See page 17) Available on all swivel models equipped with roller or one-piece Delrin bearing only (Specify **BRK3**).

### Wheel Selection



# Colson 6 Series Casters • Enforcer Kingpinless Top Plate Swivel & Rigid • Capacity to 1500 lbs

Wheel Dia.	Tread Width	Capacity Each (Pounds)	Wheel Descriptions	Swivel Top Plate Roller Bearing Caster Models	Rigid Top Plate Roller Bearing Caster Models	Optional Bearings (Order information below chart)	Load Height	Swivel Radius	Weight lbs (Rigid Deduct 2 lbs)
4"	2"	300	Performa Rubber (Conductive Flat)	6.04289.459 COND	6.04208.459 COND	PPBB	5 5/8	3 15/32	7 1/4
			Performa Rubber (Flat/Black)	6.04289.459.2	6.04208.459.2	Delrin, Prec. Ball, PPBB	5 5/8	3 15/32	7 1/4
		400	Performa Rubber (Flat/Grey)	6.04289.459	6.04208.459	Delrin, Prec. Ball, PPBB	5 5/8	3 15/32	7 1/4
			Trans-forma LT (Flat)	6.04289.489	6.04208.489	Delrin, PPBB	5 5/8	3 15/32	7 1/4
			Trans-forma (Flat)	6.04289.4E9	6.04208.4E9	Delrin, PPBB	5 5/8	3 15/32	7 1/4
		500	Moldon Rubber (Cast iron core)	6.04289.649.7	6.04208.649.7	Delrin, PPBB	5 5/8	3 15/32	8
			Polyolefin	6.04289.839	6.04208.839	Plain, Delrin, PPBB	5 5/8	3 15/32	7 1/4
		600	Trans-forma HD (Flat)	6.04289.4F9	6.04208.4F9	Delrin, PPBB	5 5/8	3 15/32	7 1/2
			Polyurethane HI-TECH	6.04289.929	6.04208.929	Delrin, PPBB	5 5/8	3 15/32	7 1/2
		700	Moldon Polyurethane (Aluminum core)	6.04289.939	6.04208.939	Delrin, PPBB	5 5/8	3 15/32	7 1/2
			Moldon Polyurethane (Cast iron core)	6.04289.949.7	6.04208.949.7	Delrin, PPBB	5 5/8	3 15/32	9 1/4
		800	Maxim	6.04289.539	6.04208.539	Delrin, Bronze, PPBB	5 5/8	3 15/32	5 7/8
			Phenolic	6.04289.339	6.04208.339	Delrin, PPBB	5 5/8	3 15/32	7 1/4
			V-Groove	6.04289.739	6.04208.739	Delrin, PPBB	5 5/8	3 15/32	11
		1000	Endura Solid Elastomer	6.04289.839 EN	6.04208.839 EN	Delrin, Prec. Ball, PPBB	5 5/8	3 15/32	7 1/4
			Cast Iron	6.04289.139	6.04208.139	Delrin, PPBB	5 5/8	3 15/32	9
5"	2"	325	Performa Rubber (Conductive Flat)	6.05289.459 COND	6.05208.459 COND	PPBB	6 1/2	3 29/32	9
			Moldon Rubber (Cast iron core)	6.05289.649.7	6.05208.649.7	Delrin, PPBB	6 1/2	3 29/32	8
		400	Trans-forma LT (Flat)	6.05289.489	6.05208.489	Delrin, PPBB	6 1/2	3 29/32	9
			Performa Rubber (Flat/Black)	6.05289.459.2	6.05208.459.2	Delrin, Prec. Ball, PPBB	6 1/2	3 29/32	9
		500	Performa Rubber (Flat/Grey)	6.05289.459	6.05208.459	Delrin, Prec. Ball, PPBB	6 1/2	3 29/32	9
			Trans-forma (Flat)	6.05289.4E9	6.05208.4E9	Delrin, PPBB	6 1/2	3 29/32	9
			Polyolefin	6.05289.839	6.05208.839	Plain, Delrin, PPBB	6 1/2	3 29/32	9
		650	Polyurethane HI-TECH	6.05289.929	6.05208.929	Delrin, PPBB	6 1/2	3 29/32	8 1/2
			Trans-forma HD (Flat)	6.05289.4F9	6.05208.4F9	Delrin, PPBB	6 1/2	3 29/32	9
		750	Maxim	6.05289.539	6.05208.539	Delrin, Bronze, PPBB	6 1/2	3 29/32	6 1/4
			Endura Solid Elastomer	6.05289.839 EN	6.05208.839 EN	Delrin, Prec. Ball, PPBB	6 1/2	3 29/32	8
		1000	Moldon Polyurethane (Aluminum core)	6.05289.939	6.05208.939	Delrin, PPBB	6 1/2	3 29/32	8 3/4
			Moldon Polyurethane (Cast iron core)	6.05289.949.7	6.05208.949.7	Delrin, PPBB	6 1/2	3 29/32	11 1/4
			Moldon Nylon	6.05289.939.3	6.05208.939.3	Delrin, PPBB	6 1/2	3 29/32	8
			Phenolic	6.05289.339	6.05208.339	Delrin, PPBB	6 1/2	3 29/32	8
		1500	Cast Iron	6.05289.139	6.05208.139	Delrin, PPBB	6 1/2	3 29/32	10 3/4
Forged Steel	6.05289.239		6.05208.239	Delrin, PPBB	6 1/2	3 29/32	11 1/4		
6"	2"	410	Performa Rubber (Conductive Flat)	6.06289.459 COND	6.06208.459 COND	PPBB	7 1/2	4 11/16	7 3/4
			Performa Rubber (Conductive Round)	6.06289.559 COND	6.06208.559 COND	PPBB	7 1/2	4 11/16	7 3/4
		450	Performa Rubber (Round/Grey)	6.06289.559	6.06208.559	Delrin, Prec. Ball, PPBB	7 1/2	4 11/16	7 3/4
			Trans-forma (Round)	6.06289.5E9	6.06208.5E9	Delrin, PPBB	7 1/2	4 11/16	7 3/4
		500	Moldon Rubber (Cast iron core)	6.06289.649.7	6.06208.649.7	Delrin, PPBB	7 1/2	4 11/16	14
			Trans-forma LT (Flat)	6.06289.489	6.06208.489	Delrin, PPBB	7 1/2	4 11/16	7 3/4
		600	Performa Rubber (Flat/Black)	6.06289.459.2	6.06208.459.2	Delrin, Prec. Ball, PPBB	7 1/2	4 11/16	7 3/4
			Performa Rubber (Flat/Grey)	6.06289.459	6.06208.459	Delrin, Prec. Ball, PPBB	7 1/2	4 11/16	7 3/4
		650	Trans-forma (Flat)	6.06289.4E9	6.06208.4E9	Delrin, PPBB	7 1/2	4 11/16	7 3/4
			Polyolefin	6.06289.839	6.06208.839	Delrin, PPBB	7 1/2	4 11/16	10
		700	Polyolefin	6.06289.839	6.06208.839	Plain, Delrin, PPBB	7 1/2	4 11/16	10
			Polyurethane HI-TECH	6.06289.929	6.06208.929	Delrin, PPBB	7 1/2	4 11/16	9
		900	Trans-forma HD (Flat)	6.06289.4F9	6.06208.4F9	Delrin, PPBB	7 1/2	4 11/16	7 3/4
			Triumph (Round/Blue)*	6.06289.96TF	6.06208.96TF	Prec. Ball	7 1/2	4 11/16	9 1/4
			Triumph (Round/Red)*	6.06289.96TS	6.06208.96TS	Prec. Ball	7 1/2	4 11/16	9 1/4
			Endura Solid Elastomer	6.06289.839 EN	6.06208.839 EN	Delrin, Prec. Ball, PPBB	7 1/2	4 11/16	9 1/4
		1100	Maxim	6.06289.539	6.06208.539	Delrin, Bronze, PPBB	7 1/2	4 11/16	6 5/8
			Moldon Polyurethane (Aluminum core)	6.06289.939	6.06208.939	Delrin, PPBB	7 1/2	4 11/16	9 1/4
			Moldon Polyurethane (Cast iron core)	6.06289.949.7	6.06208.949.7	Delrin, PPBB	7 1/2	4 11/16	12 1/2
			Moldon Nylon	6.06289.939.3	6.06208.939.3	Delrin, PPBB	7 1/2	4 11/16	9 1/4
		1200	Phenolic	6.06289.339	6.06208.339	Delrin, PPBB	7 1/2	4 11/16	9 1/4
			V-Groove	6.06289.739	6.06208.739	Delrin, PPBB	7 1/2	4 11/16	12
			Cast Iron	6.06289.139	6.06208.139	Delrin, PPBB	7 1/2	4 11/16	12 1/2
		1500	Forged Steel	6.06289.239	6.06208.239	Delrin, PPBB	7 1/2	4 11/16	12 1/2
8"	2"	500	Performa Rubber (Conductive Flat)	6.08289.459 COND	6.08278.459 COND	PPBB	10 1/8	6 1/2	8 1/2
			Performa Rubber (Conductive Round)	6.08289.559 COND	6.08278.559 COND	PPBB	10 1/8	6 1/2	8 1/2
			Moldon Rubber (Cast iron core)	6.08289.649.7	6.08278.649.7	Delrin, PPBB	10 1/8	6 1/2	16 1/4
		600	Performa Rubber (Round/Grey)	6.08289.559	6.08278.559	Delrin, Prec. Ball, PPBB	10 1/8	6 1/2	8 1/2
			Performa Rubber (Flat/Black)	6.08289.459.2	6.08278.459.2	Delrin, Prec. Ball, PPBB	10 1/8	6 1/2	8 1/2
		675	Performa Rubber (Flat/Grey)	6.08289.459	6.08278.459	Delrin, Prec. Ball, PPBB	10 1/8	6 1/2	8 1/2
			Polyolefin	6.08289.839	6.08278.839	Plain, Delrin, PPBB	10 1/8	6 1/2	10 1/4
		1000	Polyurethane HI-TECH	6.08289.929	6.08278.929	Delrin, PPBB	10 1/8	6 1/2	9 1/2
			Endura Solid Elastomer	6.08289.839 EN	6.08278.839 EN	Delrin, Prec. Ball, PPBB	10 1/8	6 1/2	11 1/2
		1200	Triumph (Crown/Brown)*	4.08289.93TF	4.08298.93TF	Prec. Ball	10 1/8	6 1/2	11 1/2
			Triumph (Crown/Red)*	4.08289.93TS	4.08298.93TS	Prec. Ball	10 1/8	6 1/2	11 1/4
			Triumph (Round/Blue)*	4.08289.96TF	4.08298.96TF	Prec. Ball	10 1/8	6 1/2	11 1/4
			Triumph (Round/Red)*	4.08289.96TS	4.08298.96TS	Prec. Ball	10 1/8	6 1/2	11 1/4
		1400	Maxim	6.08289.539	6.08278.539	Delrin, Bronze, PPBB	10 1/8	6 1/2	7 1/2
			Phenolic	6.08289.339	6.08278.339	Delrin, PPBB	10 1/8	6 1/2	11 1/2
		1500	Moldon Polyurethane (Aluminum core)	6.08289.939	6.08278.939	Delrin, PPBB	10 1/8	6 1/2	11 1/4
			Triumph (Crown)*	6.08289.93TF	6.08278.93TF	Prec. Ball	10 1/8	6 1/2	11 1/2
			Moldon Polyurethane (Cast iron core)	6.08289.949.7	6.08278.949.7	Delrin, PPBB	10 1/8	6 1/2	16 1/4
Moldon Nylon	6.08289.939.3		6.08278.939.3	Delrin, PPBB	10 1/8	6 1/2	11 1/4		
1500	Cast Iron	6.08289.139	6.08278.139	Delrin, PPBB	10 1/8	6 1/2	16 1/4		

\*Triumph wheels available with Precision ball bearing only.

## Bearing Options

Wheels feature roller bearings in above chart. To order optional bearings, see information to the right. To order caster with no wheel bearing, consult factory.



### Roller Bearing

Metal cage roller bearing (Specify **WB29**).  
Metal thrust & retainer washers (Specify **WSR1**).  
Sintered iron step washers (Specify **WSR2**).  
Sealed metal retainer washer (Specify **WSR3**).



### Torrington Roller Bearing

Torrington style roller bearing with retainer (Specify **WB19**).



### Delrin Bearing

For standard two-piece bearing change 9th digit to "1" (Example: 6.06289.931).  
One-piece with steel thrust washers (Specify **WB11**).



### Precision Ball Bearing

To order change 8th and 9th digits to "P5" (Example 6.06289.4P5).  
Note: Performa 6" to 8" capacity decreases (See wheel section).



### Pedestal Precision Ball Bearing (PPBB)

To order change 9th digit to "5" (Example: 6.06289.4F5).



### Bronze Bearing

To order, change the 9th digit in model number to "4" (Example: 6.06289.534).

6 Series