

4

Series

- Top Plate Swivel & Rigid
- Capacity up to 800 lbs each

www.colsoncaster.com



Standard Features

- Attractive zinc plated finish
- Full double ball hardened raceways
- 1/2" hollow axle with grease zerk and lock nut
- Plastic seal/retainer washer (roller bearing models)
- 1/4" steel top plate for durability
- Permanent rivet king pin with 5/8" diameter rivet
- Grease fittings: wheel bearing and swivel raceway
- "Colson 45" multi-temp grease lubricates in extreme hot and cold temperatures

Caster Brake

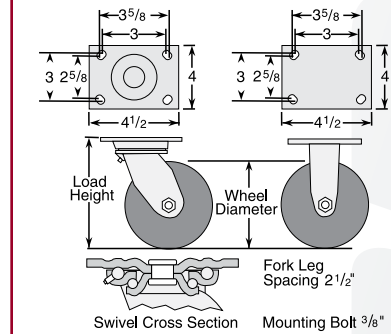


Tread Lock
(See page 18)
Available on all swivel casters except 3" diameter models (Specify **BRK1**).



Tech Lock®
(See page 18)
Available on all swivel casters except 3" diameter and swivel lock models. Rigid 6" model available (Specify **BRK2**).

Standard Dimensions



Fork / Wheel Options



NSF Listed
(See page 3) All models except swivel lock, thread guards, forged steel and cast iron core wheels (Specify **FSI**).



Foot Activated Swivel Lock
(See page 19) Available on all swivel casters with standard top plate (Specify **MTG81**).



Hand Activated Swivel Lock
(See page 19) Available on all swivel casters in Bolt-On or Welded design.



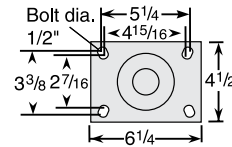
Total Lock
(See page 18)
Available on 4", 5", 6" & 8" swivel models (Specify **BRK4**).



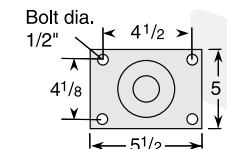
Top Lock
(See page 17)
Available on 4", 5", 6" and 8" swivel models (Specify **BRK7**).

Optional Top Plates

#2 Top Plate (Specify **MTG2**).



#4 Top Plate (Specify **MTG4**).



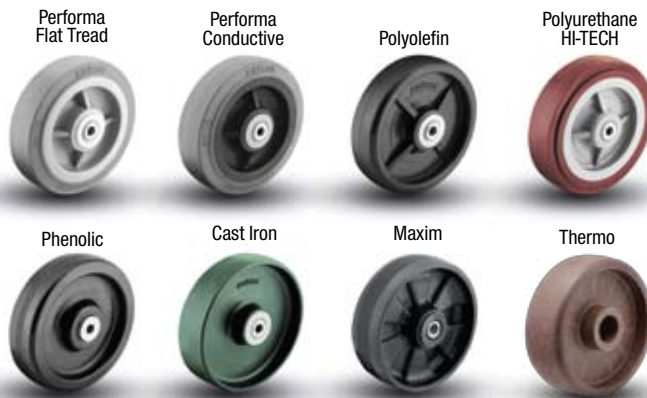
DirtBan Swivel Seal
(See page 20) Not available on swivel lock models (Specify **SEAL**).

Thread Guards
(See page 114) Available on many models (Specify **TG1** for metal or **TG2** for plastic).

Axle/Nut Options
AX2 Solid Axle
NT1 Thick lock nut

| Lube Options | Fork | Wheel |
|-----------------|------------------------|-------------|
| No Grease | GRF1 | GRW1 |
| Double Grease | GRF2 | GRW2 |
| 300° Continuous | GRF3 | GRW3 |
| 500° Continuous | Consult Factory | |

Wheel Selection



Colson 4 Series Casters • Top Plate Swivel & Rigid • Capacity to 800 lbs

| Wheel Dia. | Tread Width | Capacity Each (Pounds) | Wheel Descriptions | Swivel Top Plate Roller Bearing Caster Models | Rigid Top Plate Roller Bearing Caster Models | Optional Bearings (Order information below chart) | Load Height | Swivel Radius | Weight lbs (Rigid Deduct 1 lb) |
|------------|----------------------------|------------------------|----------------------------------|-----------------------------------------------|----------------------------------------------|---------------------------------------------------|------------------|---------------|--------------------------------|
| 3" | 1 1/2" | 225 | Perfoma Rubber (Conductive/Flat) | 4.03109.449 COND | 4.03108.449 COND | PPBB | 5 1/8 | 3 1/16 | 3 1/4 |
| | | 250 | Perfoma Rubber (Flat/Grey) | 4.03109.449 | 4.03108.449 | Delrin, PPBB | 5 1/8 | 3 1/16 | 3 1/4 |
| | | 300 | Polyolefin | 4.03109.819 | 4.03108.819 | Delrin, Plain, PPBB | 5 1/8 | 3 1/16 | 3 3/4 |
| | | | Polyurethane HI-TECH | 4.03109.919 | 4.03108.919 | Delrin, PPBB | 5 1/8 | 3 1/16 | 3 1/4 |
| | | 425 | Cast Iron | 4.03109.119 | 4.03108.119 | Delrin, PPBB | 5 1/8 | 3 1/16 | 5 |
| | | 600 | Phenolic | 4.03109.319 | 4.03108.319 | Delrin, PPBB | 5 1/8 | 3 1/16 | 3 3/4 |
| | | | Thermo | 4.03109.819 HT | 4.03108.819 HT | Plain, Bronze | 5 1/8 | 3 1/16 | 4 3/4 |
| 4" | 1 1/2" | 255 | Perfoma Rubber (Conductive/Flat) | 4.04109.449 COND | 4.04108.449 COND | PPBB | 5 5/8 | 3 9/16 | 3 3/4 |
| | | 325 | Perfoma Rubber (Flat/Grey) | 4.04109.449 | 4.04108.449 | Delrin, PPBB | 5 5/8 | 3 9/16 | 3 3/4 |
| | | 375 | Polyolefin | 4.04109.819 | 4.04108.819 | Delrin, Plain, PPBB | 5 5/8 | 3 9/16 | 4 3/4 |
| | | 400 | Polyurethane HI-TECH | 4.04109.919 | 4.04108.919 | Delrin, PPBB | 5 5/8 | 3 9/16 | 4 |
| | | 500 | Cast Iron | 4.04109.119 | 4.04108.119 | Delrin, PPBB | 5 5/8 | 3 9/16 | 5 1/4 |
| | | | Phenolic | 4.04109.319 | 4.04108.319 | Delrin, PPBB | 5 5/8 | 3 9/16 | 3 3/4 |
| | | 600 | Thermo | 4.04109.819 HT | 4.04108.819 HT | Plain, Bronze | 5 5/8 | 3 9/16 | 4 3/4 |
| | | | Maxim | 4.04109.519 | 4.04108.519 | Delrin, Bronze, PPBB | 5 5/8 | 3 9/16 | 3 3/4 |
| | | 5" | 1 1/2" | 280 | Perfoma Rubber (Conductive/Flat) | 4.05109.449 COND | 4.05108.449 COND | PPBB | 6 1/2 |
| 350 | Perfoma Rubber (Flat/Grey) | | | 4.05109.449 | 4.05108.449 | Delrin, PPBB | 6 1/2 | 4 1/4 | 4 1/8 |
| 450 | Polyolefin | | | 4.05109.819 | 4.05108.819 | Delrin, Plain, PPBB | 6 1/2 | 4 1/4 | 4 1/8 |
| 500 | Polyurethane HI-TECH | | | 4.05109.919 | 4.05108.919 | Delrin, PPBB | 6 1/2 | 4 1/4 | 4 1/8 |
| | Cast Iron | | | 4.05109.119 | 4.05108.119 | Delrin, PPBB | 6 1/2 | 4 1/4 | 5 1/2 |
| 600 | Phenolic | | | 4.05109.319 | 4.05108.319 | Delrin, PPBB | 6 1/2 | 4 1/4 | 3 3/4 |
| | Thermo | | | 4.05109.819 HT | 4.05108.819 HT | Plain, Bronze | 6 1/2 | 4 1/4 | 4 3/4 |
| 6" | 1 1/2" | 300 | Perfoma Rubber (Conductive/Flat) | 4.06109.449 COND | 4.06108.449 COND | PPBB | 7 1/2 | 5 | 5 |
| | | 375 | Perfoma Rubber (Flat/Grey) | 4.06109.449 | 4.06108.449 | Delrin, PPBB | 7 1/2 | 5 | 5 |
| | | 500 | Polyolefin | 4.06109.819 | 4.06108.819 | Delrin, Plain, PPBB | 7 1/2 | 5 | 4 1/8 |
| | | 600 | Polyurethane HI-TECH | 4.06109.919 | 4.06108.919 | Delrin, PPBB | 7 1/2 | 5 | 5 |
| | | | Cast Iron | 4.06109.119 | 4.06108.119 | Delrin, PPBB | 7 1/2 | 5 | 6 1/2 |
| | | 800 | Phenolic | 4.06109.319 | 4.06108.319 | PPBB | 7 1/2 | 5 | 4 1/4 |
| 8" | 1 1/2" | 350 | Perfoma Rubber (Conductive/Flat) | 4.08199.449 COND | 4.08198.449 COND | PPBB | 9 1/2 | 6 1/2 | 5 3/4 |
| | | 500 | Perfoma Rubber (Flat/Grey) | 4.08199.449 | 4.08198.449 | Delrin, PPBB | 9 1/2 | 6 1/2 | 5 3/4 |
| | | 600 | Polyolefin | 4.08199.819 | 4.08198.819 | Delrin, Plain, PPBB | 9 1/2 | 6 1/2 | 4 1/2 |
| | | 800 | Polyurethane HI-TECH | 4.08199.919 | 4.08198.919 | Delrin, PPBB | 9 1/2 | 6 1/2 | 5 3/4 |

All 4 Series swivel forks are notched to accommodate four position swivel locks.

Bearing Options

Wheels feature roller bearings in above chart. To order optional bearings, see information to the right. To order caster with no wheel bearing, consult factory.



Roller Bearing
Metal cage roller bearing (Specify **WB29**).
Metal thrust & retainer washers (Specify **WSR1**).
Sintered iron step washers (Specify **WSR2**).
Sealed metal retainer washer (Specify **WSR3**).



Delrin Bearing
For standard two-piece bearing change ninth digit to "1" (Example: 4.06109.911).



Pedestal Precision Ball Bearing (PPBB)
To order change 9th digit to "5" (Example: 4.06109.915).



Bronze Bearing
To order, change the 9th digit in model number to "4" (Example: 4.05109.814 HT).

4 Series

4

Series

- Top Plate Swivel & Rigid
- Capacity up to 1250 lbs each

www.colsoncaster.com



Standard Features

- Attractive zinc plated finish
- Full double ball hardened raceways
- 1/2" hollow axle with grease zerk and lock nut
- Plastic seal/retainer washer (roller bearing models)
- 1/4" steel top plate for durability
- Permanent rivet king pin with 5/8" diameter rivet
- Grease fittings: wheel bearing and swivel raceway
- "Colson 45" multi-temp grease lubricates in extreme hot and cold temperatures

Fork / Wheel Options



NSF Listed
(See page 3) All models except swivel lock, thread guards, forged steel and cast iron core wheels (Specify **FS1**).



Foot Activated Swivel Lock
(See page 19) Available on all swivel casters with standard top plate (Specify **MTG81**).



Hand Activated Swivel Lock
(See page 19) Available on all swivel casters in Bolt-On or Welded design.

DirtBan Swivel Seal
(See page 20) Not available on swivel lock models (Specify **SEAL**).

Thread Guards
(See page 114) Available on many models (Specify **TG1** for metal or **TG2** for plastic).

Load Height Option
6" dia. models with 7 1/4" load height. Only Side Lock brakes (Specify **LH7.25**).

Axle/Nut Options
AX2 Solid Axle
NT1 Thick lock nut

| Lube Options | Fork | Wheel |
|-----------------|------------------------|-------------|
| No Grease | GRF1 | GRW1 |
| Double Grease | GRF2 | GRW2 |
| 300° Continuous | GRF3 | GRW3 |
| 500° Continuous | Consult Factory | |

Caster Brake



Tread Lock
(See page 18) Available on all swivel casters except 3 1/4" diameter and V-Groove models. (Specify **BRK1**).



Tech Lock®
(See page 18) Available on all swivel casters except 3 1/4" diameter, V-Groove and Swivel Lock models. 6" rigid model available (Specify **BRK2**).



Side Lock
(See page 17) Available on all swivel roller bearing or one piece Delrin models except 3 1/4" diameter (Specify **BRK3**).

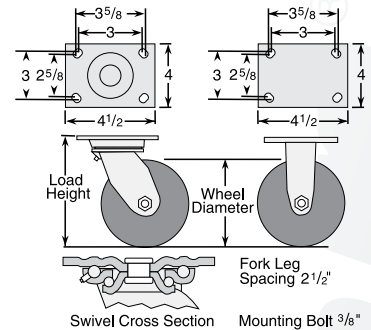


Total Lock
(See page 18) Available on 4", 5", 6" & 8" swivel models except 3 1/4" diameter and V-Groove wheels (Specify **BRK4**).



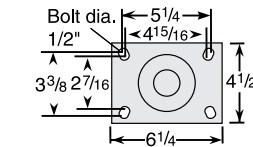
Top Lock
(See page 17) Available on 4", 5", 6" and 8" swivel models except V-Groove (Specify **BRK7**).

Standard Dimensions

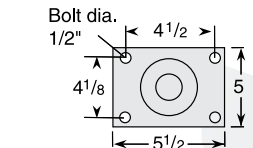


Optional Top Plates

#2 Top Plate (Specify **MTG2**).



#4 Top Plate (Specify **MTG4**).



Wheel Selection



Colson 4 Series Casters • Top Plate Swivel & Rigid • Capacity to 1250 lbs

| Wheel Dia. | Tread Width | Capacity Each (Pounds) | Wheel Descriptions | Swivel Top Plate Roller Bearing Caster Models | Rigid Top Plate Roller Bearing Caster Models | Optional Bearings (Order information below chart) | Load Height | Swivel Radius | Weight lbs (Rigid Deduct 1.5 lbs) |
|------------|--------------------------------------|------------------------|-------------------------------------|-----------------------------------------------|----------------------------------------------|---------------------------------------------------|-------------|---------------|-----------------------------------|
| 3 1/4" | 2" | 700 | Phenolic | 4.03109.339 | 4.03108.339 | Delrin, PPBB | 5 1/4 | 3 3/16 | 4 3/4 |
| | | | Maxim | 4.03109.539 | 4.03108.539 | Delrin, Bronze, PPBB | 5 1/4 | 3 3/16 | 4 3/4 |
| | | 300 | Performa Rubber (Flat/Conductive) | 4.04109.459 COND | 4.04108.459 COND | PPBB | 5 5/8 | 3 9/16 | 5 3/4 |
| | | | Performa Rubber (Flat/Black) | 4.04109.459.2 | 4.04108.459.2 | Delrin, Prec. Ball, PPBB | 5 5/8 | 3 9/16 | 5 3/4 |
| | | 400 | Performa Rubber (Flat/Grey) | 4.04109.459 | 4.04108.459 | Delrin, Prec. Ball, PPBB | 5 5/8 | 3 9/16 | 5 3/4 |
| | | | Trans-forma LT (Flat) | 4.04109.4B9 | 4.04108.4B9 | Delrin, PPBB | 5 5/8 | 3 9/16 | 5 3/4 |
| | | | Trans-forma (Flat) | 4.04109.4E9 | 4.04108.4E9 | Delrin, PPBB | 5 5/8 | 3 9/16 | 5 3/4 |
| | | | Moldon Rubber (Cast iron core) | 4.04109.649.7 | 4.04108.649.7 | Delrin, PPBB | 5 5/8 | 3 9/16 | 7 1/4 |
| | | 500 | Polyolefin | 4.04109.839 | 4.04108.839 | Delrin, Plain, PPBB | 5 5/8 | 3 9/16 | 4 1/2 |
| | | | Trans-forma HD (Flat) | 4.04109.4F9 | 4.04108.4F9 | Delrin, PPBB | 5 5/8 | 3 9/16 | 5 3/4 |
| | | 600 | Polyurethane HI-TECH | 4.04109.929 | 4.04108.929 | Delrin, PPBB | 5 5/8 | 3 9/16 | 4 3/4 |
| | | | Moldon Polyurethane (Aluminum core) | 4.04109.939 | 4.04108.939 | Delrin, PPBB | 5 5/8 | 3 9/16 | 5 1/4 |
| 700 | Moldon Polyurethane (Cast iron core) | 4.04109.949.7 | 4.04108.949.7 | Delrin, PPBB | 5 5/8 | 3 9/16 | 7 1/4 | | |
| | Maxim | 4.04109.539 | 4.04108.539 | Delrin, Bronze, PPBB | 5 5/8 | 3 9/16 | 4 1/8 | | |
| 800 | Phenolic | 4.04109.339 | 4.04108.339 | Delrin, PPBB | 5 5/8 | 3 9/16 | 5 3/4 | | |
| | Thermo | 4.04109.839 HT | 4.04108.839 HT | Plain, Bronze | 5 5/8 | 3 9/16 | 6 3/4 | | |
| 1000 | V-Groove | 4.04109.739 | 4.04108.739 | Delrin, PPBB | 5 5/8 | 3 9/16 | 8 1/8 | | |
| | Endura Solid Elastomer | 4.04109.839 EN | 4.04108.839 EN | Delrin, Prec. Ball, PPBB | 5 5/8 | 3 9/16 | 5 3/4 | | |
| 4" | 2" | 325 | Performa Rubber (Flat/Conductive) | 4.05109.459 COND | 4.05108.459 COND | PPBB | 6 1/2 | 4 1/4 | 6 1/8 |
| | | | Moldon Rubber (Cast iron core) | 4.05109.649.7 | 4.05108.649.7 | Delrin, PPBB | 6 1/2 | 4 1/4 | 8 1/8 |
| | | 400 | Trans-forma LT (Flat) | 4.05109.4B9 | 4.05108.4B9 | Delrin, PPBB | 6 1/2 | 4 1/4 | 6 1/8 |
| | | | Performa Rubber (Flat/Black) | 4.05109.459.2 | 4.05108.459.2 | Delrin, Prec. Ball, PPBB | 6 1/2 | 4 1/4 | 6 1/8 |
| | | 450 | Performa Rubber (Flat/Grey) | 4.05109.459 | 4.05108.459 | Delrin, Prec. Ball, PPBB | 6 1/2 | 4 1/4 | 6 1/8 |
| | | | Trans-forma (Flat) | 4.05109.4E9 | 4.05108.4E9 | Delrin, PPBB | 6 1/2 | 4 1/4 | 6 1/8 |
| | | 500 | Polyolefin | 4.05109.839 | 4.05108.839 | Delrin, Plain, PPBB | 6 1/2 | 4 1/4 | 4 7/8 |
| | | | Trans-forma HD (Flat) | 4.05109.4F9 | 4.05108.4F9 | Delrin, PPBB | 6 1/2 | 4 1/4 | 6 1/8 |
| | | 650 | Polyurethane HI-TECH | 4.05109.929 | 4.05108.929 | Delrin, PPBB | 6 1/2 | 4 1/4 | 4 3/4 |
| | | | Maxim | 4.05109.539 | 4.05108.539 | Delrin, Bronze, PPBB | 6 1/2 | 4 1/4 | 4 1/2 |
| | | 750 | Endura Solid Elastomer | 4.05109.839 EN | 4.05108.839 EN | Delrin, Prec. Ball, PPBB | 6 1/2 | 4 1/4 | 5 3/4 |
| | | | Moldon Polyurethane (Aluminum core) | 4.05109.939 | 4.05108.939 | Delrin, PPBB | 6 1/2 | 4 1/4 | 6 1/8 |
| 1000 | Moldon Polyurethane (Cast iron core) | 4.05109.949.7 | 4.05108.949.7 | Delrin, PPBB | 6 1/2 | 4 1/4 | 8 1/8 | | |
| | Moldon Nylon | 4.05109.939.3 | 4.05108.939.3 | Delrin, PPBB | 6 1/2 | 4 1/4 | 9 1/4 | | |
| 1250 | Phenolic | 4.05109.339 | 4.05108.339 | Delrin, PPBB | 6 1/2 | 4 1/4 | 5 3/4 | | |
| | Thermo | 4.05109.839 HT | 4.05108.839 HT | Plain, Bronze | 6 1/2 | 4 1/4 | 6 3/4 | | |
| 5" | 2" | 400 | Cast Iron | 4.05109.139 | 4.05108.139 | Delrin, PPBB | 6 1/2 | 4 1/4 | 8 7/8 |
| | | | Forged Steel | 4.05109.239 | 4.05108.239 | Delrin, PPBB | 6 1/2 | 4 1/4 | 9 1/4 |
| | | 410 | Performa Rubber (Flat/Conductive) | 4.06109.459 COND | 4.06108.459 COND | PPBB | 7 1/2 | 5 | 6 1/8 |
| | | | Performa Rubber (Round/Conductive) | 4.06109.559 COND | 4.06108.559 COND | PPBB | 7 1/2 | 5 | 6 1/8 |
| | | 450 | Performa Rubber (Round) | 4.06109.559 | 4.06108.559 | Delrin, Prec. Ball, PPBB | 7 1/2 | 5 | 6 1/8 |
| | | | Trans-forma (Round) | 4.06109.5E9 | 4.06108.5E9 | Delrin, PPBB | 7 1/2 | 5 | 6 1/8 |
| | | 500 | Moldon Rubber (Cast iron core) | 4.06109.649.7 | 4.06108.649.7 | Delrin, PPBB | 7 1/2 | 5 | 10 1/2 |
| | | | Trans-forma LT (Flat) | 4.06109.4B9 | 4.06108.4B9 | Delrin, PPBB | 7 1/2 | 5 | 6 1/8 |
| | | 600 | Performa Rubber (Flat/Black) | 4.06109.459.2 | 4.06108.459.2 | Delrin, Prec. Ball, PPBB | 7 1/2 | 5 | 6 1/8 |
| | | | Performa Rubber (Flat/Grey) | 4.06109.459 | 4.06108.459 | Delrin, Prec. Ball, PPBB | 7 1/2 | 5 | 6 1/8 |
| | | 650 | Trans-forma (Flat) | 4.06109.4E9 | 4.06108.4E9 | Delrin, PPBB | 7 1/2 | 5 | 6 1/8 |
| | | | Trans-forma HD (Round) | 4.06109.5F9 | 4.06108.5F9 | Delrin, PPBB | 7 1/2 | 5 | 6 1/8 |
| 700 | Polyolefin | 4.06109.839 | 4.06108.839 | Delrin, Plain, PPBB | 7 1/2 | 5 | 5 1/2 | | |
| | Polyurethane HI-TECH | 4.06109.929 | 4.06108.929 | Delrin, PPBB | 7 1/2 | 5 | 5 | | |
| 900 | Trans-forma HD (Flat) | 4.06109.4F9 | 4.06108.4F9 | Delrin, PPBB | 7 1/2 | 5 | 6 1/8 | | |
| | Triumph (Round/Blue)* | 4.06109.96TF | 4.06108.96TF | Prec. Ball | 7 1/2 | 5 | 7 1/2 | | |
| 1100 | Triumph (Round/Red)* | 4.06109.96TS | 4.06108.96TS | Prec. Ball | 7 1/2 | 5 | 7 1/2 | | |
| | Endura Solid Elastomer | 4.06109.839 EN | 4.06108.839 EN | Delrin, Prec. Ball, PPBB | 7 1/2 | 5 | 7 | | |
| 1200 | Maxim | 4.06109.539 | 4.06108.539 | Delrin, Bronze, PPBB | 7 1/2 | 5 | 4 3/4 | | |
| | Moldon Polyurethane (Aluminum core) | 4.06109.939 | 4.06108.939 | Delrin, PPBB | 7 1/2 | 5 | 7 1/2 | | |
| 1250 | Moldon Polyurethane (Cast iron core) | 4.06109.949.7 | 4.06108.949.7 | Delrin, PPBB | 7 1/2 | 5 | 10 1/2 | | |
| | Moldon Nylon | 4.06109.939.3 | 4.06108.939.3 | Delrin, PPBB | 7 1/2 | 5 | 9 1/4 | | |
| 6" | 2" | 400 | Phenolic | 4.06109.339 | 4.06108.339 | Delrin, PPBB | 7 1/2 | 5 | 7 |
| | | | V-Groove | 4.06109.739 | 4.06108.739 | Delrin, PPBB | 7 1/2 | 5 | 10 1/2 |
| | | 410 | Cast Iron | 4.06109.139 | 4.06108.139 | Delrin, PPBB | 7 1/2 | 5 | 9 3/4 |
| | | | Forged Steel | 4.06109.239 | 4.06108.239 | Delrin, PPBB | 7 1/2 | 5 | 10 1/4 |
| | | 500 | Performa Rubber (Flat/Conductive) | 4.08199.459 COND | 4.08198.459 COND | PPBB | 9 1/2 | 6 1/2 | 6 1/4 |
| | | | Performa Rubber (Round/Conductive) | 4.08199.559 COND | 4.08198.559 COND | PPBB | 9 1/2 | 6 1/2 | 6 1/4 |
| | | 600 | Moldon Rubber (Cast iron core) | 4.08199.649.7 | 4.08198.649.7 | Delrin, PPBB | 9 1/2 | 6 1/2 | 13 1/4 |
| | | | Performa Rubber (Round/Grey) | 4.08199.559 | 4.08198.559 | Delrin, Prec. Ball, PPBB | 9 1/2 | 6 1/2 | 6 1/4 |
| | | 675 | Performa Rubber (Flat/Black) | 4.08199.459.2 | 4.08198.459.2 | Delrin, Prec. Ball, PPBB | 9 1/2 | 6 1/2 | 6 1/4 |
| | | | Performa Rubber (Flat/Grey) | 4.08199.459 | 4.08198.459 | Delrin, Prec. Ball, PPBB | 9 1/2 | 6 1/2 | 6 1/4 |
| | | 900 | Polyolefin | 4.08199.839 | 4.08198.839 | Delrin, Plain, PPBB | 9 1/2 | 6 1/2 | 5 3/4 |
| | | | Polyurethane HI-TECH | 4.08199.929 | 4.08198.929 | Delrin, PPBB | 9 1/2 | 6 1/2 | 5 3/4 |
| 1000 | Endura Solid Elastomer | 4.08199.839 EN | 4.08198.839 EN | Delrin, Prec. Ball, PPBB | 9 1/2 | 6 1/2 | 5 3/4 | | |
| | Triumph (Crown/Brown)* | 4.08199.93TF | 4.08198.93TF | Prec. Ball | 9 1/2 | 6 1/2 | 8 1/4 | | |
| 1200 | Triumph (Crown/Red)* | 4.08199.93TS | 4.08198.93TS | Prec. Ball | 9 1/2 | 6 1/2 | 8 1/4 | | |
| | Triumph (Round/Blue)* | 4.08199.96TF | 4.08198.96TF | Prec. Ball | 9 1/2 | 6 1/2 | 8 1/4 | | |
| 1250 | Triumph (Round/Red)* | 4.08199.96TS | 4.08198.96TS | Prec. Ball | 9 1/2 | 6 1/2 | 8 1/4 | | |
| | Maxim | 4.08199.539 | 4.08198.539 | Delrin, Bronze, PPBB | 9 1/2 | 6 1/2 | 5 1/2 | | |
| 1250 | Moldon Polyurethane (Aluminum core) | 4.08199.939 | 4.08198.939 | Delrin, PPBB | 9 1/2 | 6 1/2 | 8 1/4 | | |
| | Moldon Polyurethane (Cast iron core) | 4.08199.949.7 | 4.08198.949.7 | Delrin, PPBB | 9 1/2 | 6 1/2 | 13 1/4 | | |
| 1250 | Moldon Nylon | 4.08199.939.3 | 4.08198.939.3 | Delrin, PPBB | 9 1/2 | 6 1/2 | 9 1/4 | | |
| | Phenolic | 4.08199.339 | 4.08198.339 | Delrin, PPBB | 9 1/2 | 6 1/2 | 8 1/2 | | |
| 1250 | Cast Iron | 4.08199.139 | 4.08198.139 | Delrin, PPBB | 9 1/2 | 6 1/2 | 12 1/2 | | |

*Triumph wheels available with Precision ball bearing only. All 4 Series swivel forks are notched to accommodate four position swivel locks.

Bearing Options

Wheels feature roller bearings in above chart. To order optional bearings, see information to the right. To order caster with no wheel bearing, consult factory.



Roller Bearing
Metal cage roller bearing (Specify **WB29**).
Metal thrust & retainer washers (Specify **WSR1**).
Sintered iron step washers (Specify **WSR2**).
Sealed metal retainer washer (Specify **WSR3**).



Torrington Roller Bearing
Torrington style roller bearing with retainer (Specify **WB19**).



Delrin Bearing
For standard two-piece bearing change 9th digit to "1" (Example: 4.06109.921).
One-piece with steel thrust washers (Specify **WB11**).



Precision Ball Bearing
To order change 8th and 9th digits to "P5" (Example 4.06109.4P5).



Pedestal Precision Ball Bearing (PPBB)
To order change 9th digit to "5" (Example: 4.06109.4E5).



Bronze Bearing
To order, change the 9th digit in model number to "4" (Example: 4.06109.534).

4 Series

4

Series

www.colsoncaster.com

- Stainless Steel Top Plate Swivel & Rigid
- Capacity up to 1250 lbs each

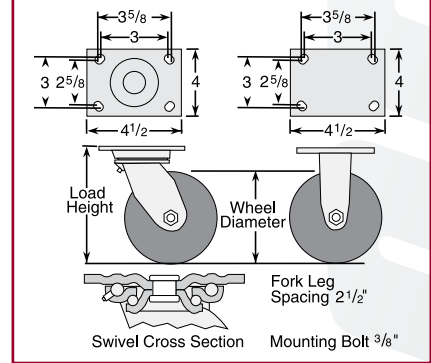


Standard Features

- Polished stainless steel (Grade 304)
- 1/2" stainless steel hollow axle with grease zerk, nut and lock washer
- 1/4" standard steel top plate for durability
- Permanent rivet king pin with 9/8" diameter rivet
- Grease fittings: wheel bearing and swivel raceway
- "Colson 45" multi-temp grease lubricates in extreme hot and cold temperatures



Standard Dimensions



Caster Brake



Tech Lock®
(See page 18)
Available on all swivel and 6" rigid casters (Specify **BRK2**).



Side Lock
(See page 17)
Stainless steel design available on all swivel casters with one-piece Delrin bearing or roller bearing only (Specify **BRK3**).



Top Lock
(See page 18)
New stainless steel design available on all swivel models (Specify **BRK7**).

Fork / Wheel Options



NSF Listed
(See page 3) All models except swivel lock, thread guards, forged steel and cast iron core wheels (Specify **FS1**).



Foot Activated Swivel Lock
(See page 19) Available on all swivel casters with standard top plate (Specify **MTG81**).

DirtBan Swivel Seal
(See page 20) Not available on swivel lock models (Specify **SEAL**).

Thread Guards
(See page 114) Available on many models (Specify **TG1** for metal or **TG2** for plastic).

Wheel Selection



Colson 4 Series Casters • Stainless Steel Top Plate Swivel & Rigid • Capacity to 1250 lbs

| Wheel Dia. | Tread Width | Capacity Each (Pounds) | Wheel Descriptions | Swivel Top Plate SS Roller Bearing Caster Models | Rigid Top Plate SS Roller Bearing Caster Models | Wheel Bearing | Load Height | Swivel Radius | Weight (Pounds) |
|------------|----------------|------------------------|----------------------------------|--------------------------------------------------|-------------------------------------------------|-------------------------------|-------------------------------|--------------------------------|-------------------------------|
| 4" | 2" | 300 | Perfoma Rubber (Flat/Conductive) | 4.04109.459 COND SS | 4.04108.459 COND SS | PPBB | 5 ⁵ / ₈ | 3 ⁹ / ₁₆ | 5 ³ / ₄ |
| | | 400 | Perfoma Rubber (Flat/Black) | 4.04109.459.2 SS | 4.04108.459.2 SS | Delrin, Bronze, PPBB | 5 ⁵ / ₈ | 3 ⁹ / ₁₆ | 5 ³ / ₄ |
| | | | Perfoma Rubber (Flat/Grey) | 4.04109.459 SS | 4.04108.459 SS | Delrin, Bronze, PPBB | 5 ⁵ / ₈ | 3 ⁹ / ₁₆ | 5 ³ / ₄ |
| | | | Trans-forma LT (Flat) | 4.04109.4B9 SS | 4.04108.4B9 SS | Delrin, Bronze, PPBB | 5 ⁵ / ₈ | 3 ⁹ / ₁₆ | 5 ³ / ₄ |
| | | | Trans-forma (Flat) | 4.04109.4E9 SS | 4.04108.4E9 SS | Delrin, Bronze, PPBB | 5 ⁵ / ₈ | 3 ⁹ / ₁₆ | 5 ³ / ₄ |
| | | 500 | Polyolefin | 4.04109.839 SS | 4.04108.839 SS | Delrin, Bronze, Plain, PPBB | 5 ⁵ / ₈ | 3 ⁹ / ₁₆ | 4 ¹ / ₂ |
| | | 600 | Trans-forma HD (Flat) | 4.04109.4F9 SS | 4.04108.4F9 SS | Delrin, Bronze, Plain | 5 ⁵ / ₈ | 3 ⁹ / ₁₆ | 5 ³ / ₄ |
| | | | Polyurethane HI-TECH | 4.04109.929 SS | 4.04108.929 SS | Delrin, Bronze, PPBB | 5 ⁵ / ₈ | 3 ⁹ / ₁₆ | 4 ³ / ₄ |
| | | | Maxim | 4.04109.539 SS | 4.04108.539 SS | Delrin, Bronze, PPBB | 5 ⁵ / ₈ | 3 ⁹ / ₁₆ | 5 ³ / ₄ |
| | | | Phenolic | 4.04109.339 SS | 4.04108.339 SS | Delrin, PPBB | 5 ⁵ / ₈ | 3 ⁹ / ₁₆ | 5 ³ / ₄ |
| | | 800 | Thermo | 4.04109.839 HT SS | 4.04108.839 HT SS | Plain, Bronze | 5 ⁵ / ₈ | 3 ⁹ / ₁₆ | 5 ³ / ₄ |
| | | | Endura Solid Elastomer | 4.04109.839 EN SS | 4.04108.839 EN SS | Delrin, Bronze, PPBB | 5 ⁵ / ₈ | 3 ⁹ / ₁₆ | 5 ³ / ₄ |
| 5" | 2" | 325 | Perfoma Rubber (Flat/Conductive) | 4.05109.459 COND SS | 4.05108.459 COND SS | PPBB | 6 ¹ / ₂ | 4 ¹ / ₄ | 6 ¹ / ₈ |
| | | 450 | Trans-forma LT (Flat) | 4.05109.4B9 SS | 4.05108.4B9 SS | Delrin, Bronze, PPBB | 6 ¹ / ₂ | 4 ¹ / ₄ | 6 ¹ / ₈ |
| | | 500 | Perfoma Rubber (Flat/Black) | 4.05109.459.2 SS | 4.05108.459.2 SS | Delrin, Bronze, PPBB | 6 ¹ / ₂ | 4 ¹ / ₄ | 6 ¹ / ₈ |
| | | | Perfoma Rubber (Flat/Grey) | 4.05109.459 SS | 4.05108.459 SS | Delrin, Bronze, PPBB | 6 ¹ / ₂ | 4 ¹ / ₄ | 6 ¹ / ₈ |
| | | | Trans-forma (Flat) | 4.05109.4E9 SS | 4.05108.4E9 SS | Delrin, Bronze, PPBB | 6 ¹ / ₂ | 4 ¹ / ₄ | 6 ¹ / ₈ |
| | | 650 | Polyolefin | 4.05109.839 SS | 4.05108.839 SS | Delrin, Bronze, Plain, PPBB | 6 ¹ / ₂ | 4 ¹ / ₄ | 4 ⁷ / ₈ |
| | | 750 | Trans-forma HD (Flat) | 4.05109.4F9 SS | 4.05108.4F9 SS | Delrin, Bronze, PPBB | 6 ¹ / ₂ | 4 ¹ / ₄ | 6 ¹ / ₈ |
| | | | Polyurethane HI-TECH | 4.05109.929 SS | 4.05108.929 SS | Delrin, Bronze, PPBB | 6 ¹ / ₂ | 4 ¹ / ₄ | 4 ⁷ / ₈ |
| | | | Maxim | 4.05109.539 SS | 4.05108.539 SS | Delrin, Bronze, PPBB | 6 ¹ / ₂ | 4 ¹ / ₄ | 5 ⁷ / ₈ |
| | | | Phenolic | 4.05109.339 SS | 4.05108.339 SS | Delrin, PPBB | 6 ¹ / ₂ | 4 ¹ / ₄ | 5 ⁷ / ₈ |
| | | 1000 | Thermo | 4.05109.839 HT SS | 4.05108.839 HT SS | Plain, Bronze | 6 ¹ / ₂ | 4 ¹ / ₄ | 5 ⁷ / ₈ |
| | | | Endura Solid Elastomer | 4.05109.839 EN SS | 4.05108.839 EN SS | Delrin, Bronze, PPBB | 6 ¹ / ₂ | 4 ¹ / ₄ | 5 ⁷ / ₈ |
| 6" | 2" | 400 | Trans-forma LT (Round) | 4.06109.5B9 SS | 4.06108.5B9 SS | Delrin, Bronze, PPBB | 7 ¹ / ₂ | 5 | 7 ¹ / ₈ |
| | | 410 | Perfoma Rubber (Flat/Conductive) | 4.06109.459 SS | 4.06108.459.2 SS | PPBB | 7 ¹ / ₂ | 5 | 6 ¹ / ₈ |
| | | 450 | Perfoma Rubber (Round/Grey) | 4.06109.559 SS | 4.06108.559 SS | Delrin, Bronze, PPBB | 7 ¹ / ₂ | 5 | 7 ¹ / ₈ |
| | | | Trans-forma (Round) | 4.06109.5E9 SS | 4.06108.5E9 SS | Delrin, Bronze, PPBB | 7 ¹ / ₂ | 5 | 7 ¹ / ₈ |
| | | 500 | Trans-forma LT (Flat) | 4.06109.4B9 SS | 4.06108.4B9 SS | Delrin, Bronze, PPBB | 7 ¹ / ₂ | 5 | 7 ¹ / ₈ |
| | | 600 | Perfoma Rubber (Flat/Black) | 4.06109.459.2 SS | 4.06108.459.2 SS | Delrin, Bronze, PPBB | 7 ¹ / ₂ | 5 | 7 ¹ / ₈ |
| | | | Perfoma Rubber (Flat/Grey) | 4.06109.459 SS | 4.06108.459 SS | Delrin, Bronze, PPBB | 7 ¹ / ₂ | 5 | 7 ¹ / ₈ |
| | | | Trans-forma (Flat) | 4.06109.4E9 SS | 4.06108.4E9 SS | Delrin, Bronze, PPBB | 7 ¹ / ₂ | 5 | 7 ¹ / ₈ |
| | | 650 | Trans-forma HD (Round) | 4.06109.5F9 SS | 4.06108.5F9 SS | Delrin, Bronze, PPBB | 7 ¹ / ₂ | 5 | 7 ¹ / ₈ |
| | | 700 | Polyolefin | 4.06109.839 SS | 4.06108.839 SS | Delrin, Bronze, Plain, PPBB | 7 ¹ / ₂ | 5 | 5 ¹ / ₂ |
| | | 900 | Polyurethane HI-TECH | 4.06109.929 SS | 4.06108.929 SS | Delrin, Bronze, PPBB | 7 ¹ / ₂ | 5 | 5 |
| | | | Trans-forma HD (Flat) | 4.06109.4F9 SS | 4.06108.4F9 SS | Delrin, Bronze, PPBB | 7 ¹ / ₂ | 5 | 7 ¹ / ₈ |
| | | 1100 | Endura Solid Elastomer | 4.06109.839 EN SS | 4.06108.839 EN SS | Delrin, Bronze, PPBB | 7 ¹ / ₂ | 5 | 6 |
| | | | Thermo | 4.06109.839 HT SS | 4.06108.839 HT SS | Plain, Bronze | 7 ¹ / ₂ | 5 | 6 |
| | | 1200 | Maxim | 4.06109.539 SS | 4.06108.539 SS | Delrin, Bronze, PPBB | 7 ¹ / ₂ | 5 | 6 |
| | | | Phenolic | 4.06109.339 SS | 4.06108.339 SS | Delrin, PPBB | 7 ¹ / ₂ | 5 | 6 |
| 8" | 2" | 500 | Perfoma Rubber (Flat/Conductive) | 4.08199.459 COND SS | 4.08198.459 COND SS | PPBB | 9 ¹ / ₂ | 6 ¹ / ₂ | 6 ¹ / ₄ |
| | | 600 | Perfoma Rubber (Round/Grey) | 4.08199.559 SS | 4.08198.559 SS | Delrin, Bronze, PPBB | 9 ¹ / ₂ | 6 ¹ / ₂ | 8 ¹ / ₈ |
| | | 675 | Perfoma Rubber (Flat/Black) | 4.08199.459.2 SS | 4.08198.459.2 SS | Delrin, Bronze, PPBB | 9 ¹ / ₂ | 6 ¹ / ₂ | 8 ¹ / ₈ |
| | | | Perfoma Rubber (Flat/Grey) | 4.08199.459 SS | 4.08198.459 SS | Delrin, Bronze, PPBB | 9 ¹ / ₂ | 6 ¹ / ₂ | 8 ¹ / ₈ |
| | | 900 | Polyolefin | 4.08199.839 SS | 4.08198.839 SS | Delrin, Bronze, Plain, PPBB | 9 ¹ / ₂ | 6 ¹ / ₂ | 5 ³ / ₄ |
| | | 1000 | Polyurethane HI-TECH | 4.08199.929 SS | 4.08198.929 SS | Delrin, Bronze, PPBB | 9 ¹ / ₂ | 6 ¹ / ₂ | 5 ³ / ₄ |
| | | 1200 | Endura Solid Elastomer | 4.08199.839 EN SS | 4.08198.839 EN SS | Delrin, Bronze, PPBB | 9 ¹ / ₂ | 6 ¹ / ₂ | 6 ³ / ₄ |
| | | 1250 | Maxim | 4.08199.539 SS | 4.08198.539 SS | Delrin, Bronze, PPBB | 9 ¹ / ₂ | 6 ¹ / ₂ | 6 ³ / ₄ |
| Phenolic | 4.08199.339 SS | | 4.08198.339 SS | Delrin, Bronze, PPBB | 9 ¹ / ₂ | 6 ¹ / ₂ | 6 ³ / ₄ | | |

All 4 Series swivel forks are notched to accommodate four position swivel locks.

Bearing Options

Wheels feature roller bearings in above chart. To order optional bearings, see information to the right. To order caster with no wheel bearing, consult factory.



Roller Bearing
Stainless Steel cage roller bearing (Specify **WB29**).
Stainless Steel thrust & retainer washers (Specify **WSR1**).



Delrin Bearing
For standard two-piece bearing change 9th digit to "1" (Example: 4.06109.921 SS).
One-piece with steel thrust washers (Specify **WB11**).



Pedestal Precision Ball Bearing (PPBB)
To order change 9th digit to "5" (Example: 4.06109.925 SS).
Available in stainless steel; consult factory.



Bronze Bearing
To order, change the 9th digit in model number to "4" (Example: 4.06109.534 SS).

4 Series ENFORCER

www.colsoncaster.com

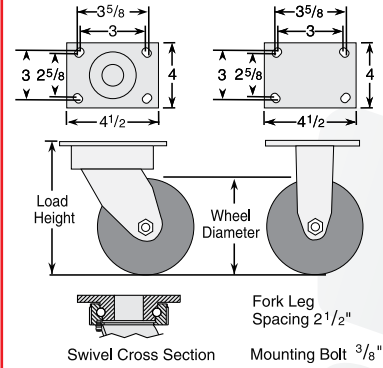
- Kingpinless Top Plate Swivel & Rigid
- Capacity to 1400 lbs

Standard Features

- Attractive zinc plated finish
- Full single ball hardened raceway
- Formed fork legs feature robotic welding
- 1/2" hollow axle with grease zerck and lock nut
- Plastic seal/retainer washer (roller bearing models)
- 5/16" swivel steel top plate for durability, rigid top plate 1/4" steel
- Grease fittings: wheel bearing and swivel raceway
- "Colson 45" multi-temp grease lubricates in extreme hot and cold temperatures



Standard Dimensions



Caster Brake



Tread Lock
(See page 18) Available on all swivel casters except V-Groove models (Specify **BRK1**).

Fork / Wheel Options



Hand Activated Swivel Lock (See page 19) Available on all swivel casters. Specify **MTG61** with standard top plate, **MTG62** with #2 top plate and **MTG64** with #4 top plate.



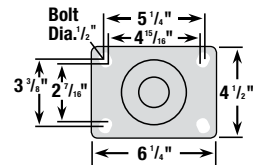
Side Lock
(See page 17) Available on all swivel models equipped with roller or one-piece Delrin bearing only (Specify **BRK3**).



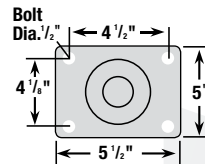
Foot Activated Swivel Lock (See page 19) Available on all swivel casters with standard top plate (Specify **MTG81**).

Optional Top Plates

#2 Top Plate (Specify **MTG2**)



#4 Top Plate (Specify **MTG4**)



Extended Lead Fork

Available on 6" and 8" models with 9 1/2" & 10 1/8" load height respectively (Specify **EL**). Also specify load height.

Thread Guards
(See page 114) Available on many models (Specify **TG1** for metal or **TG2** for plastic).

Axle / Nut Options

AX2 Solid Axle
NT1 Thick Lock nut

Wheel Selection



Colson 4 Series Casters • Enforcer Top Plate Swivel & Rigid • Capacity to 1400 lbs

| Wheel Dia. | Tread Width | Capacity Each (Pounds) | Wheel Descriptions | Swivel Top Plate Roller Bearing Caster Models | Rigid Top Plate Roller Bearing Caster Models | Optional Bearings (Order information below chart) | Load Height | Swivel Radius | Weight lbs (Rigid Deduct 1.5 lbs) |
|-------------------------------------|--------------------------------------|--------------------------------|--------------------------------------|-----------------------------------------------|----------------------------------------------|---------------------------------------------------|-------------|---------------|-----------------------------------|
| 4" | 2" | 300 | Performa Rubber (Flat/Conductive) | 4.04189.459 COND | 4.04108.459 COND | PPBB | 5 5/8 | 3 9/16 | 5 3/4 |
| | | | Performa Rubber (Flat/Black) | 4.04189.459.2 | 4.04108.459.2 | Delrin, Prec. Ball, PPBB | 5 5/8 | 3 9/16 | 5 3/4 |
| | | 400 | Performa Rubber (Flat/Grey) | 4.04189.459 | 4.04108.459 | Delrin, Prec. Ball, PPBB | 5 5/8 | 3 9/16 | 5 3/4 |
| | | | Trans-forma LT (Flat) | 4.04189.4B9 | 4.04108.4B9 | Delrin, PPBB | 5 5/8 | 3 9/16 | 5 3/4 |
| | | | Trans-forma (Flat) | 4.04189.4E9 | 4.04108.4E9 | Delrin, PPBB | 5 5/8 | 3 9/16 | 5 3/4 |
| | | | Moldon Rubber (Cast iron core) | 4.04189.649.7 | 4.04108.649.7 | Delrin, PPBB | 5 5/8 | 3 9/16 | 6 |
| | | 500 | Polyolefin | 4.04189.839 | 4.04108.839 | Delrin, Plain, PPBB | 5 5/8 | 3 9/16 | 4 1/2 |
| | | 600 | Trans-forma HD (Flat) | 4.04189.4F9 | 4.04108.4F9 | Delrin, PPBB | 5 5/8 | 3 9/16 | 5 3/4 |
| | | | Polyurethane HI-TECH | 4.04189.929 | 4.04108.929 | Delrin, PPBB | 5 5/8 | 3 9/16 | 4 3/4 |
| | | 700 | Moldon Polyurethane (Aluminum core) | 4.04189.939 | 4.04108.939 | Delrin, PPBB | 5 5/8 | 3 9/16 | 5 1/4 |
| | | | Moldon Polyurethane (Cast iron core) | 4.04189.949.7 | 4.04108.949.7 | Delrin, PPBB | 5 5/8 | 3 9/16 | 6 |
| | | 800 | Maxim | 4.04189.539 | 4.04108.539 | Delrin, Bronze, PPBB | 5 5/8 | 3 9/16 | 5 1/8 |
| | | | Phenolic | 4.04189.339 | 4.04108.339 | Delrin, PPBB | 5 5/8 | 3 9/16 | 5 3/4 |
| | | | V-Groove | 4.04189.739 | 4.04108.739 | Delrin, PPBB | 5 5/8 | 3 9/16 | 8 1/8 |
| 1000 | Endura Solid Elastomer | 4.04189.839 EN | 4.04108.839 EN | Delrin, Prec. Ball, PPBB | 5 5/8 | 3 9/16 | 5 3/4 | | |
| | Cast Iron | 4.04189.139 | 4.04108.139 | Delrin, PPBB | 5 5/8 | 3 9/16 | 7 7/8 | | |
| 5" | 2" | 325 | Performa Rubber (Flat/Conductive) | 4.05189.459 COND | 4.05108.459 COND | PPBB | 6 1/2 | 3 7/8 | 6 1/8 |
| | | | Moldon Rubber (Cast iron core) | 4.05189.649.7 | 4.05108.649.7 | Delrin, PPBB | 6 1/2 | 3 7/8 | 7 |
| | | 450 | Trans-forma LT (Flat) | 4.05189.4B9 | 4.05108.4B9 | Delrin, PPBB | 6 1/2 | 3 7/8 | 6 1/8 |
| | | 500 | Performa Rubber (Flat/Black) | 4.05189.459.2 | 4.05108.459.2 | Delrin, Prec. Ball, PPBB | 6 1/2 | 3 7/8 | 6 1/8 |
| | | | Performa Rubber (Flat/Grey) | 4.05189.459 | 4.05108.459 | Delrin, Prec. Ball, PPBB | 6 1/2 | 3 7/8 | 6 1/8 |
| | | Trans-forma (Flat) | 4.05189.4E9 | 4.05108.4E9 | Delrin, PPBB | 6 1/2 | 3 7/8 | 6 1/8 | |
| | | 650 | Polyolefin | 4.05189.839 | 4.05108.839 | Delrin, Plain, PPBB | 6 1/2 | 3 7/8 | 4 7/8 |
| | | 750 | Trans-forma HD (Flat/Grey) | 4.05189.4F9 | 4.05108.4F9 | Delrin, PPBB | 6 1/2 | 3 7/8 | 6 1/8 |
| | | | Polyurethane HI-TECH | 4.05189.929 | 4.05108.929 | Delrin, PPBB | 6 1/2 | 3 7/8 | 4 3/4 |
| | | 1000 | Maxim | 4.05189.539 | 4.05108.539 | Delrin, Bronze, PPBB | 6 1/2 | 3 7/8 | 5 1/2 |
| | | | Endura Solid Elastomer | 4.05189.839 EN | 4.05108.839 EN | Delrin, Prec. Ball, PPBB | 6 1/2 | 3 7/8 | 5 3/4 |
| | | | Moldon Polyurethane (Aluminum core) | 4.05189.939 | 4.05108.939 | Delrin, PPBB | 6 1/2 | 3 7/8 | 6 1/8 |
| | | | Moldon Polyurethane (Cast iron core) | 4.05189.949.7 | 4.05108.949.7 | Delrin, PPBB | 6 1/2 | 3 7/8 | 7 |
| | | | Moldon Nylon | 4.05189.939.3 | 4.05108.939.3 | Delrin, PPBB | 6 1/2 | 3 7/8 | 9 1/4 |
| Phenolic | 4.05189.339 | | 4.05108.339 | Delrin, PPBB | 6 1/2 | 3 7/8 | 5 3/4 | | |
| 1400 | Cast Iron | 4.05189.139 | 4.05108.139 | Delrin, PPBB | 6 1/2 | 3 7/8 | 8 7/8 | | |
| 1400 | Forged Steel | 4.05189.239 | 4.05108.239 | Delrin, PPBB | 6 1/2 | 3 7/8 | 9 1/4 | | |
| 6" | 2" | 400 | Trans-forma LT (Round) | 4.06189.5B9 | 4.06108.5B9 | Delrin, PPBB | 7 1/2 | 4 5/8 | 6 1/8 |
| | | | Performa Rubber (Flat/Conductive) | 4.06189.459 COND | 4.06108.459 COND | PPBB | 7 1/2 | 4 5/8 | 6 1/8 |
| | | 410 | Performa Rubber (Round/Conductive) | 4.06189.559 COND | 4.06108.559 COND | PPBB | 7 1/2 | 4 5/8 | 6 1/8 |
| | | | Performa Rubber (Round/Grey) | 4.06189.559 | 4.06108.559 | Delrin, Prec. Ball, PPBB | 7 1/2 | 4 5/8 | 6 1/8 |
| | | 450 | Trans-forma (Round) | 4.06189.5E9 | 4.06108.5E9 | Delrin, PPBB | 7 1/2 | 4 5/8 | 6 1/8 |
| | | | Moldon Rubber (Cast iron core) | 4.06189.649.7 | 4.06108.649.7 | Delrin, PPBB | 7 1/2 | 4 5/8 | 9 |
| | | 500 | Trans-forma LT (Flat) | 4.06189.4B9 | 4.06108.4B9 | Delrin, PPBB | 7 1/2 | 4 5/8 | 6 1/8 |
| | | | Performa Rubber (Flat/Black) | 4.06189.459.2 | 4.06108.459.2 | Delrin, Prec. Ball, PPBB | 7 1/2 | 4 5/8 | 6 1/8 |
| | | 600 | Performa Rubber (Flat/Grey) | 4.06189.459 | 4.06108.459 | Delrin, Prec. Ball, PPBB | 7 1/2 | 4 5/8 | 6 1/8 |
| | | | Trans-forma (Flat) | 4.06189.4E9 | 4.06108.4E9 | Delrin, PPBB | 7 1/2 | 4 5/8 | 6 1/8 |
| | | 650 | Trans-forma HD (Round) | 4.06189.5F9 | 4.06108.5F9 | Delrin, PPBB | 7 1/2 | 4 5/8 | 6 1/8 |
| | | 700 | Polyolefin | 4.06189.839 | 4.06108.839 | Delrin, Plain, PPBB | 7 1/2 | 4 5/8 | 5 1/2 |
| | | | Polyurethane HI-TECH | 4.06189.929 | 4.06108.929 | Delrin, PPBB | 7 1/2 | 4 5/8 | 5 |
| | | 900 | Trans-forma HD (Flat) | 4.06189.4F9 | 4.06108.4F9 | Delrin, PPBB | 7 1/2 | 4 5/8 | 6 1/8 |
| | | | Triumph (Round/Blue)* | 4.06189.96TF | 4.06108.96TF | Prec. Ball | 7 1/2 | 4 5/8 | 7 1/2 |
| | | | Triumph (Round/Red)* | 4.06189.96TS | 4.06108.96TS | Prec. Ball | 7 1/2 | 4 5/8 | 7 1/2 |
| | | | Endura Solid Elastomer | 4.06189.839 EN | 4.06108.839 EN | Delrin, Prec. Ball, PPBB | 7 1/2 | 4 5/8 | 7 |
| | | 1100 | Maxim | 4.06189.539 | 4.06108.539 | Delrin, Bronze, PPBB | 7 1/2 | 4 5/8 | 5 3/4 |
| | | | Moldon Polyurethane (Aluminum core) | 4.06189.939 | 4.06108.939 | Delrin, PPBB | 7 1/2 | 4 5/8 | 7 1/2 |
| | | | Moldon Polyurethane (Cast iron core) | 4.06189.949.7 | 4.06108.949.7 | Delrin, PPBB | 7 1/2 | 4 5/8 | 9 |
| | | | Moldon Nylon | 4.06189.939.3 | 4.06108.939.3 | Delrin, PPBB | 7 1/2 | 4 5/8 | 9 1/4 |
| | | | Phenolic | 4.06189.339 | 4.06108.339 | Delrin, PPBB | 7 1/2 | 4 5/8 | 7 |
| | | | V-Groove | 4.06189.739 | 4.06108.739 | Delrin, PPBB | 7 1/2 | 4 5/8 | 10 1/2 |
| | | 1400 | Cast Iron | 4.06189.139 | 4.06108.139 | Delrin, PPBB | 7 1/2 | 4 5/8 | 9 3/4 |
| Forged Steel | 4.06189.239 | | 4.06108.239 | Delrin, PPBB | 7 1/2 | 4 5/8 | 10 1/4 | | |
| 8" | 2" | 500 | Performa Rubber (Flat/Conductive) | 4.08189.459 COND | 4.08198.459 COND | PPBB | 9 1/2 | 6 1/8 | 6 1/4 |
| | | | Performa Rubber (Round/Conductive) | 4.08189.559 COND | 4.08198.559 COND | PPBB | 9 1/2 | 6 1/8 | 6 1/4 |
| | | Moldon Rubber (Cast iron core) | 4.08189.649.7 | 4.08198.649.7 | Delrin, PPBB | 9 1/2 | 6 1/8 | 11 | |
| | | 600 | Performa Rubber (Round/Grey) | 4.08189.559 | 4.08198.559 | Delrin, Prec. Ball, PPBB | 9 1/2 | 6 1/8 | 6 1/4 |
| | | | Performa Rubber (Flat/Black) | 4.08189.459.2 | 4.08198.459.2 | Delrin, Prec. Ball, PPBB | 9 1/2 | 6 1/8 | 6 1/4 |
| | | 675 | Performa Rubber (Flat/Grey) | 4.08189.459 | 4.08198.459 | Delrin, Prec. Ball, PPBB | 9 1/2 | 6 1/8 | 6 1/4 |
| | | 900 | Polyolefin | 4.08189.839 | 4.08198.839 | Delrin, Plain, PPBB | 9 1/2 | 6 1/8 | 5 3/4 |
| | | 1000 | Polyurethane HI-TECH | 4.08189.929 | 4.08198.929 | Delrin, PPBB | 9 1/2 | 6 1/8 | 5 3/4 |
| | | | Endura Solid Elastomer | 4.08189.839 EN | 4.08198.839 EN | Delrin, Prec. Ball, PPBB | 9 1/2 | 6 1/8 | 8 1/2 |
| | | 1200 | Triumph (Crown/Brown)* | 4.08189.93TF | 4.08198.93TF | Prec. Ball | 9 1/2 | 6 1/8 | 8 1/4 |
| | | | Triumph (Crown/Red)* | 4.08189.93TS | 4.08198.93TS | Prec. Ball | 9 1/2 | 6 1/8 | 8 1/4 |
| | | | Triumph (Round/Blue)* | 4.08189.96TF | 4.08198.96TF | Prec. Ball | 9 1/2 | 6 1/8 | 8 1/4 |
| | | | Triumph (Round/Red)* | 4.08189.96TS | 4.08198.96TS | Prec. Ball | 9 1/2 | 6 1/8 | 8 1/4 |
| | | | Maxim | 4.08189.539 | 4.08198.539 | Delrin, Bronze, PPBB | 9 1/2 | 6 1/8 | 6 1/2 |
| Moldon Polyurethane (Aluminum core) | 4.08189.939 | | 4.08198.939 | Delrin, PPBB | 9 1/2 | 6 1/8 | 8 1/4 | | |
| 1250 | Moldon Polyurethane (Cast iron core) | 4.08189.949.7 | 4.08198.949.7 | Delrin, PPBB | 9 1/2 | 6 1/8 | 11 | | |
| | Moldon Nylon | 4.08189.939.3 | 4.08198.939.3 | Delrin, PPBB | 9 1/2 | 6 1/8 | 9 1/4 | | |
| | Phenolic | 4.08189.339 | 4.08198.339 | Delrin, PPBB | 9 1/2 | 6 1/8 | 8 1/2 | | |
| | Cast Iron | 4.08189.139 | 4.08198.139 | Delrin, PPBB | 9 1/2 | 6 1/8 | 12 1/2 | | |

*Triumph wheels available with Precision ball bearing only.

Bearing Options

Wheels feature roller bearings in above chart. To order optional bearings, see information to the right. To order caster with no wheel bearing, consult factory.



Roller Bearing
Metal cage (Specify **WB29**).
Metal thrust & retainer washers (Specify **WSR1**).
Sintered iron step washers (Specify **WSR2**).
Sealed metal retainer washer (Specify **WSR3**).



Torrington Roller Bearing
Torrington style roller bearing with retainer (Specify **WB19**).



Delrin Bearing
For standard two-piece bearing change 9th digit to "1" (Example: 4.06189.921).
One-piece with steel thrust washers (Specify **WB11**).



Precision Ball
To order change 8th and 9th digits to "P5" (Example 4.06189.4P5).



Pedestal Precision Ball Bearing (PPBB)
To order change 9th digit to "5" (Example 4.06189.455).



Bronze Bearing
To order change 9th digit to "4" (Example: 4.06189.534).

4 Series